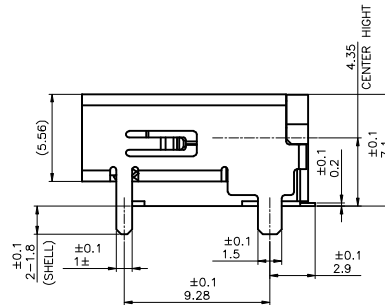
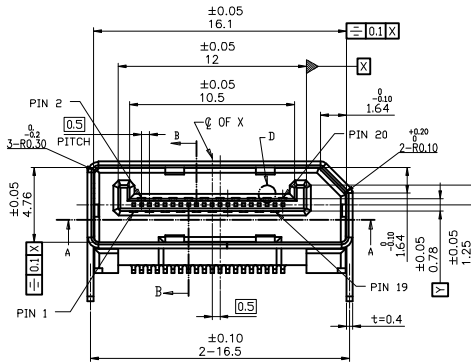
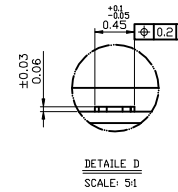
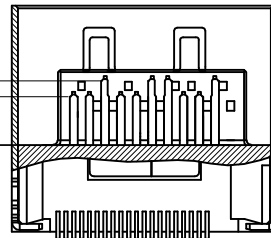
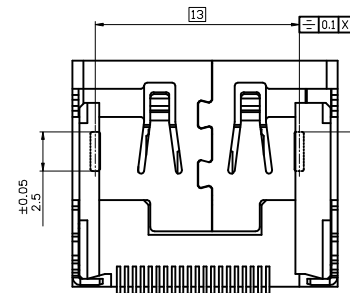


RECOMMENDED P.C.B LAYOUT (THICKNESS=1.2mm)
 (COMPONENT SIDE) TOLERANCES=0.05mm



NOTES:

- MATERIAL:
 HOUSING: THERMOPLASTIC HIGH TEMP WITH 30% GF (PA10T R630NH / LCP E130I, E471I OR 6807LHF), UL94V-0.
 CONTACT: C2680R-EH T=0.20mm
 SHELL: C2680R-H T=0.40mm
 MYLAR: KAPTON TAPE T=0.06mm
- PLATING:
 CONTACT: GOLD FLASH PLATING ON CONTACT AREA,
 MATTE TIN PLATING ON SOLDER TAILS
 50-90µ" NICKEL UNDERPLATING OVERALL.
 SHELL: 50-90µ" NICKEL PLATING OVERALL.
- SOLDER TAIL COPLANARITY 0.10MAX.



SECT: A-A

RoHS Compliant

TOLERANCES ARE

MORETHANALL
 PCB CONNECTORS
 Cable ASSEMBLIES

DRAWING BY CY

CHECKED BY GENIUS

UNIT / mm

SCALE 1:1

DATE

SIZE A4

X, ±
 .X ± 0.40
 .XX ± 0.20
 .XXX ±
 ANG ± 3°

P PROJECTION

照片框

ORDER INFORMATION

DISP-SWVMC-20-LF
 SERIES | | | | | LEADFREE
 | | | | | 20 WAY
 | | | | | MYLAR
 | | | | | METAL FOOT
 FEMALE | | | | | REVERSED
 | | | | | 90°SMT

DESCRIPTION:

煜倫股份有限公司

www.morethanall.com