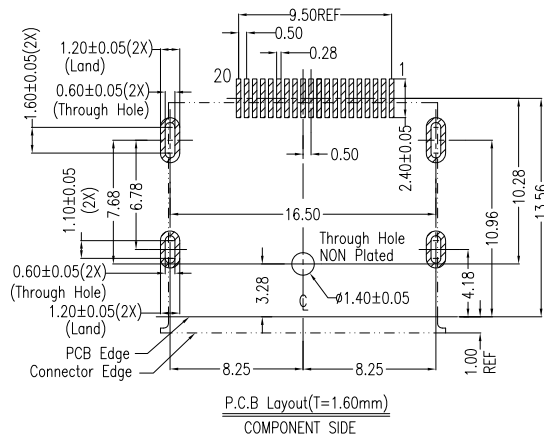
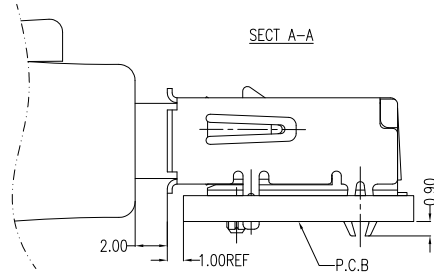


SECT A-A



**NOTES:**

**\*Material**

Housing: LCP,UL 94V-0Rated;Color:Black.  
Shield: Brass.  
Plating: Ni(40u" Min.) Plating.  
Contact: Brass.  
Plating: Au plating on contact area;  
Sn(100u" Min.) plating on solder tail;  
Ni(40u" Min.) underplating overall.

**\*Electrical Specification**

Operation Voltage: 40 VAC max.  
Current Rating: 0.5 Ampere per contact  
Contact Resistance: 30 mΩ max.  
Insulation Resistance: 100 MΩ min.  
Dielectric Withstanding Voltage: 500 VDC

**\*Environmental**

Operating Temperature: -20°C to +85°C

**RoHS Compliant**

TOLERANCES ARE



煜倫股份有限公司

www.morethanall.com

DRAWING BY CY

CHECKED BY GENIUS

UNIT/ mm

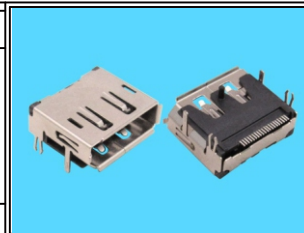
SCALE 1:1

DATE

SIZE A4

PJECTION

X, ±  
.X ± 0.35  
.XX ± 0.25  
.XXX ± 0.15  
ANG ±



**ORDER INFORMATION**

DISP-SWMZP-20-LF  
SERIES | | | | LEADFREE  
20 WAY  
POST  
METAL FOOT  
90°SMT  
FEMALE

DESCRIPTION: DisplayPort Peceptacle (Female) SMT Type