

Pin No.	Signal Type	Pin No.	Signal Type
1	Out	11	GND
2	GND	12	Out
3	Out	13	CONFIG
4	Out	14	CONFIG
5	GND	15	I/O
6	Out	16	GND
7	Out	17	I/O
8	GND	18	In
9	Out	19	PWR RTN
10	Out	20	PWR Out

NOTES:

***Material**

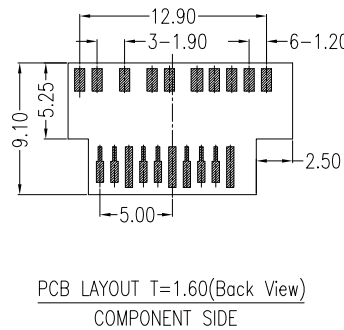
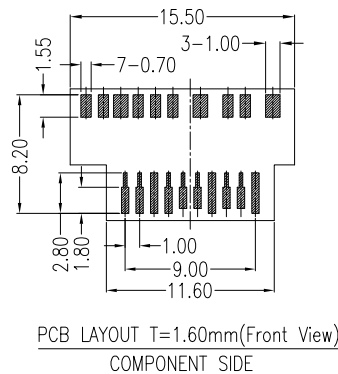
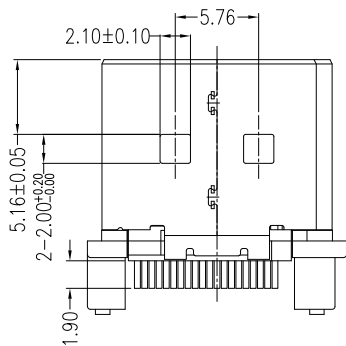
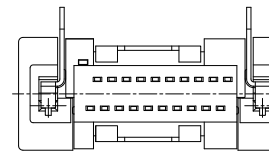
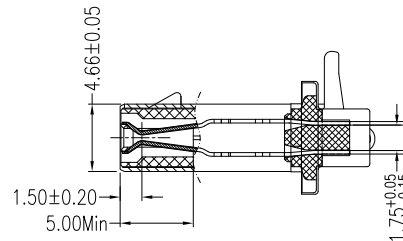
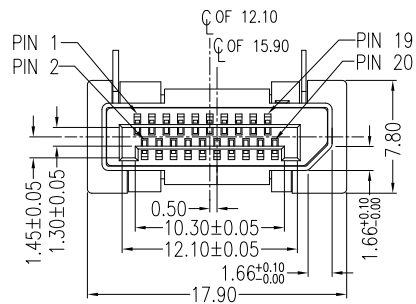
Body: LCP, UL 94V-0 Rated; Color: Black.
 Shield: Brass.
 Plating: Nickle(40u" Min.) Plating .
 Contact: Phosphor Bronze .
 Plating: Gold plating on contact area;
 Tin(100u" Min.) plating on solder tail;
 Nickel(40u" Min.) underplating overall.
 Spring: Stainless Steel(SUS 304).

***Electrical Specification**

Operation Voltage: 40 VAC max.
 Current Rating: 0.5 Ampere per contact
 Contact Resistance: 30 mΩ max.
 Insulation Resistance: 100 MΩ min.
 Dielectric Withstanding Voltage: 500 VDC

***Environmental**

Operating Temperature: -20°C to +85°C



RoHS Compliant

TOLERANCES ARE

MORETHANALL
 PCB CONNECTORS
 Cable ASSEMBLIES

DRAWING BY CY

CHECKED BY GENIUS

UNIT / mm

SCALE 1 : 1

DATE

SIZE A4

PPOJECTION

X ±
 .X ± 0.35
 .XX ± 0.25
 .XXX ± 0.15
 ANG ± 3°

照片框

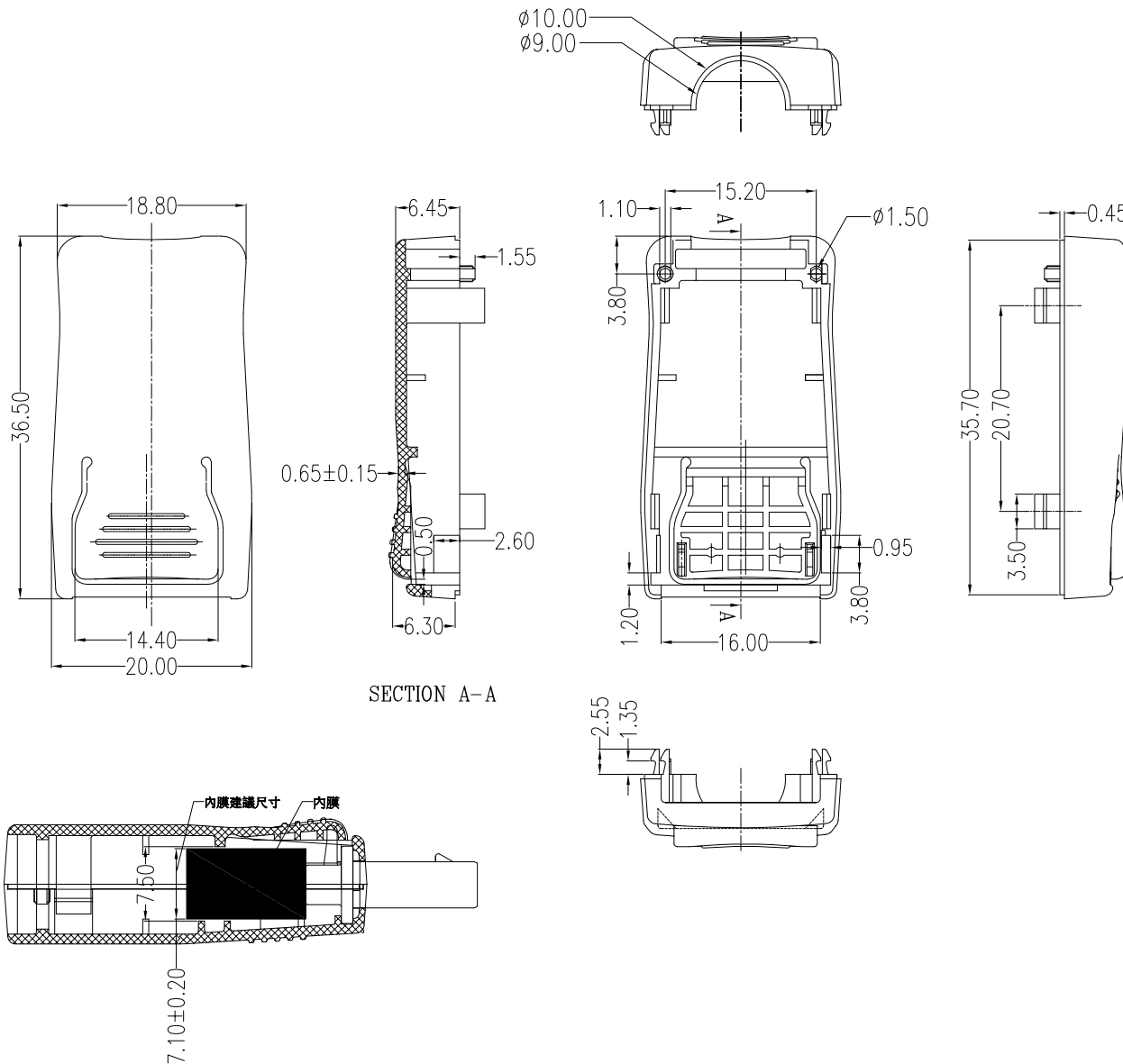
ORDER INFORMATION

DISP-PA3cc-20-LF
 SERIES | LEADFREE
 20 WAY
 BK:BLACK
 WH:WHITE
 MALE | 3 PIECE
 ASSEMBLY

DESCRIPTION: DisplayPort Plug (Compound)

煜倫股份有限公司

www.morethanall.com



NOTES:

***Material**

1. COVER: PC/ABS · UL94-HB
2. Color: Black/White

RoHS Compliant

TOLERANCES ARE

MORETHANALL
PCB CONNECTORS
Cable ASSEMBLIES

DRAWING BY CY

CHECKED BY GENIUS

UNIT / mm

SCALE 1 : 1

DATE

SIZE A4

X, ±
.X ± 0.35
.XX ± 0.25
.XXX ± 0.15
ANG ± 3°

PJECTION

照片框

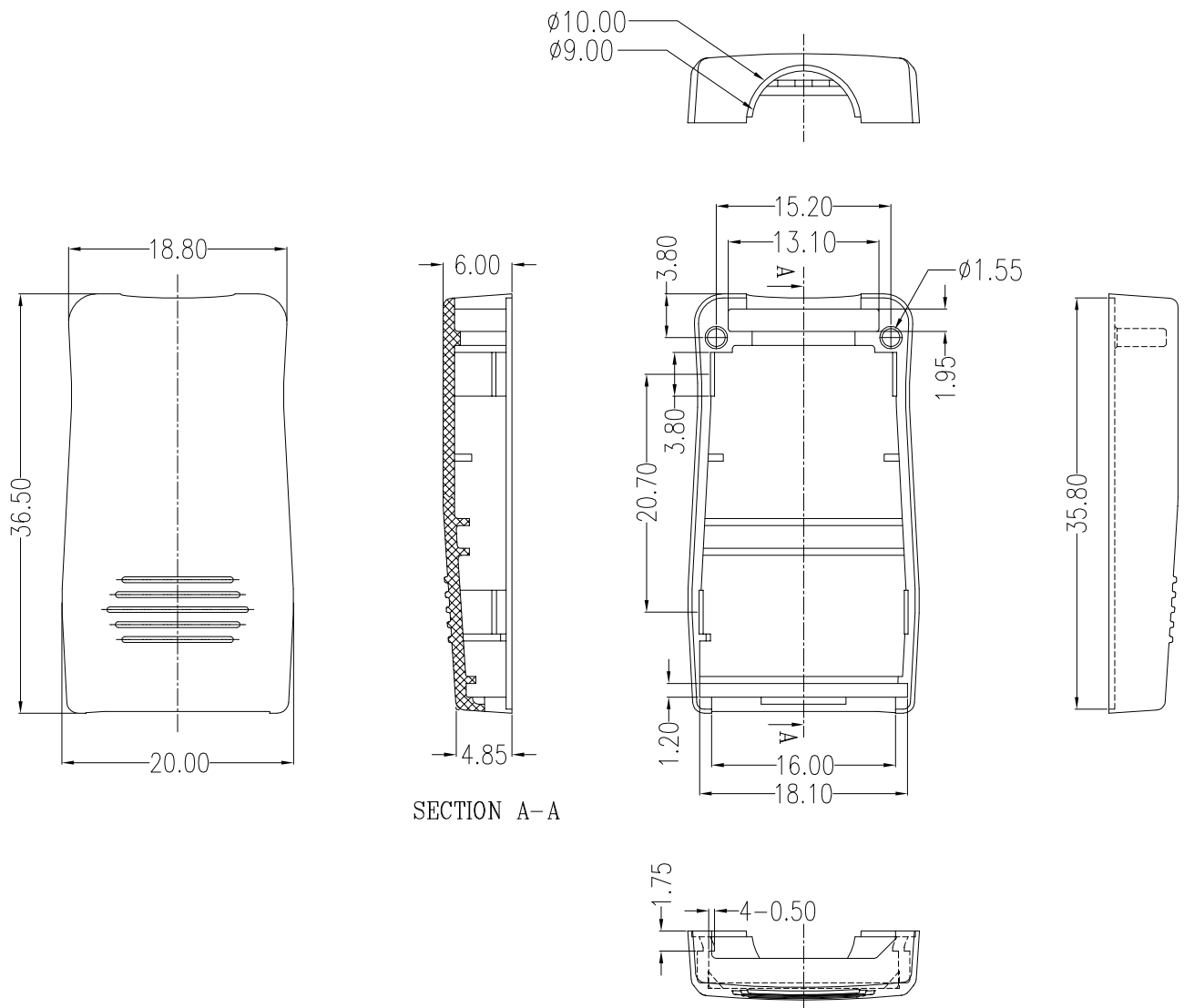
ORDER INFORMATION

DISP-PA3cc-20-LF
SERIES | | | LEADFREE
20 WAY
BK:BLACK
WH:WHITE
MALE | 3 PIECE
ASSEMBLY

DESCRIPTION: DisplayPort TOP Cover

煜倫股份有限公司

www.morethanall.com



NOTES:

*Material

1. COVER: PC/ABS ·UL94-HB
2. Color: Black/White

RoHS Compliant

TOLERANCES ARE

MORETHANALL
PCB CONNECTORS
Cable ASSEMBLIES

DRAWING BY CY

CHECKED BY GENIUS

UNIT / mm

SCALE 1 : 1

DATE

SIZE A4

X, ±
.X ± 0.35
.XX ± 0.25
.XXX ± 0.15
ANG ± 3°

照片框

PJECTION

ORDER INFORMATION

DISP-PA3cc-20-LF
SERIES | | | LEADFREE
| | | 20 WAY
| | | BK:BLACK
| | | WH:WHITE
MALE | 3 PIECE
ASSEMBLY

煜倫股份有限公司

www.morethanall.com

DESCRIPTION: DisplayPort BOTTOM Cover