

**MORETHANALL**  
PCB CONNECTORS  
Cable ASSEMBLIES

煜倫股份有限公司

www.morethanall.com

**RoHS Compliant**

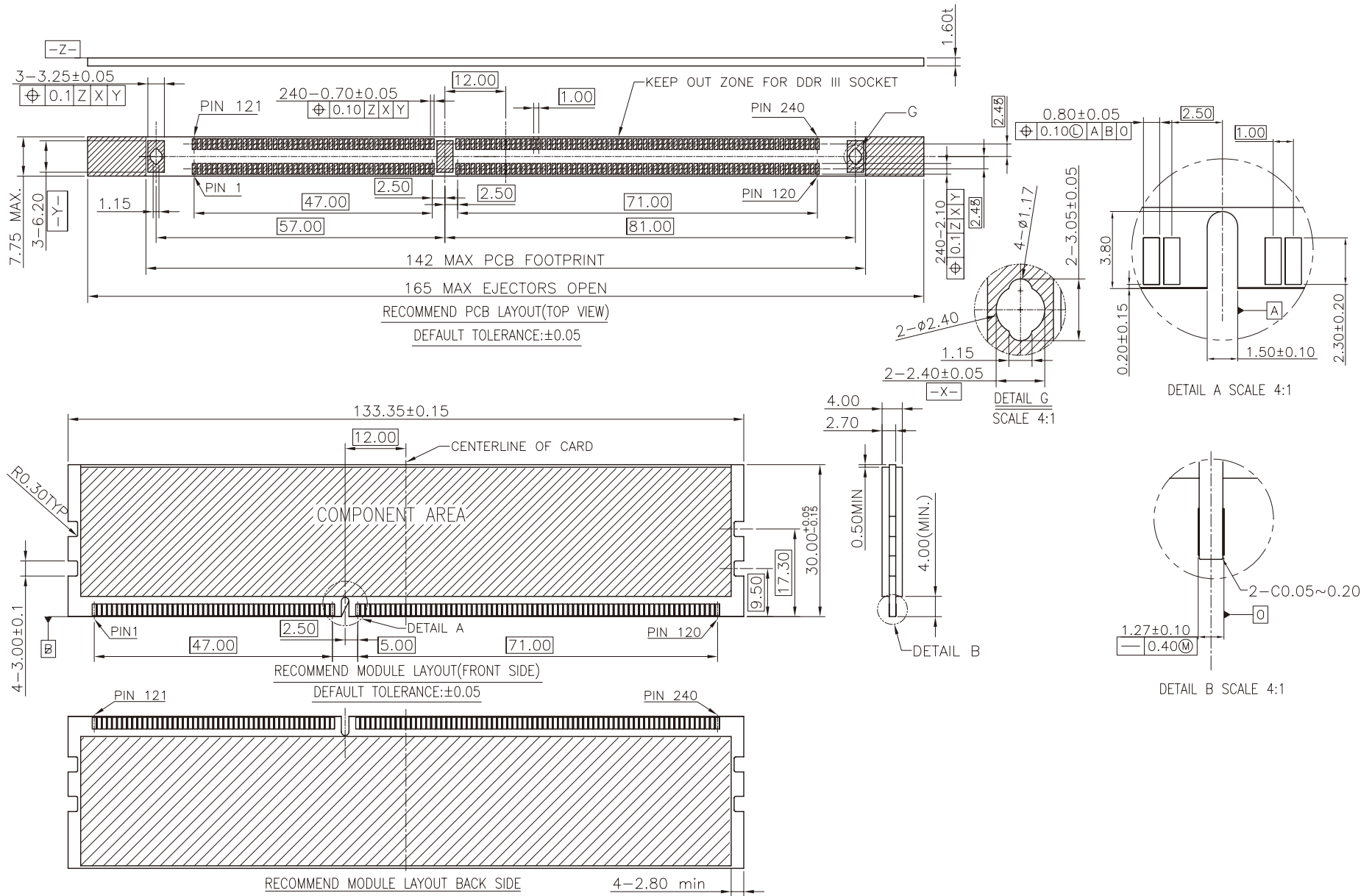
DRAWING BY CY  
CHECKED BY GENIUS  
UNIT/mm SCALE 1:1  
DATE  
SIZE A4

TOLERANCES ARE  
X. ±  
X ± 0.35  
.XX ± 0.25  
.XXX ± 0.15  
ANG ±  
PROJECTION

照片框

**ORDER INFORMATION**  
DIM1-VM-240V15-LF  
SERIES | LEADFREE  
| 1.5V  
| 240WAY  
METAL  
180°SMT

DESCRIPTION: SMT DDR3 240PIN



煜倫股份有限公司

www.morethanall.com

RoHS Compliant

DRAWING BY CY

CHECKED BY GENIUS

UNIT/mm SCALE 1:1

DATE

SIZE A4

TOLERANCES ARE

X. ±  
.XX ± 0.35  
.XXX ± 0.25  
.XXX ± 0.15  
ANG ±

PJECTION

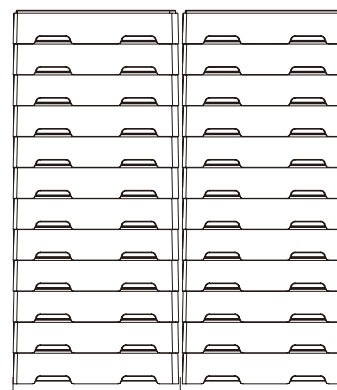
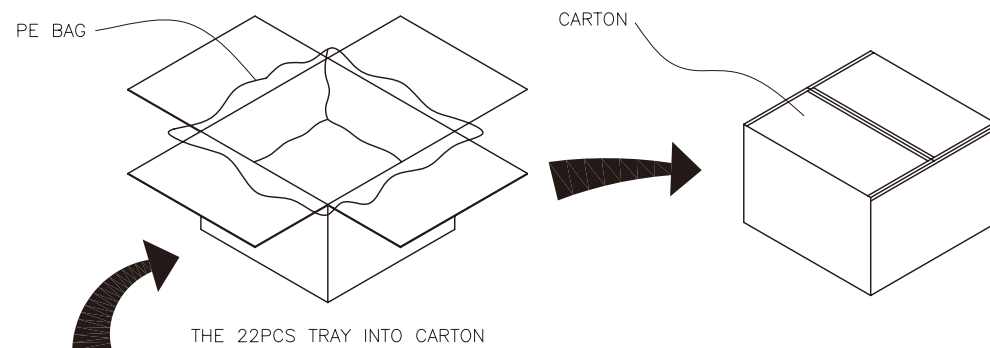
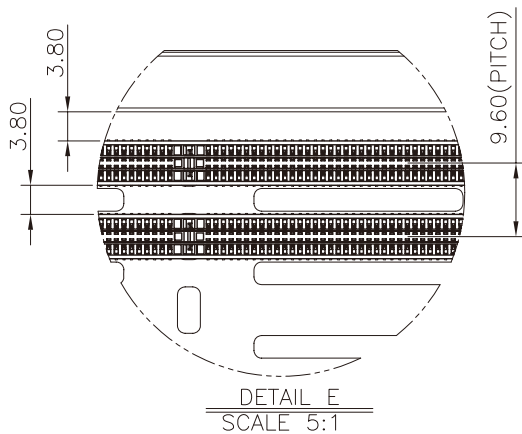
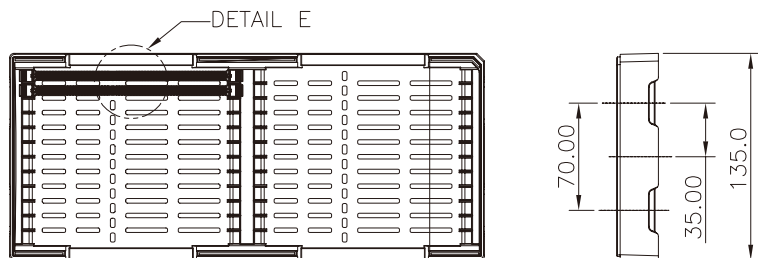
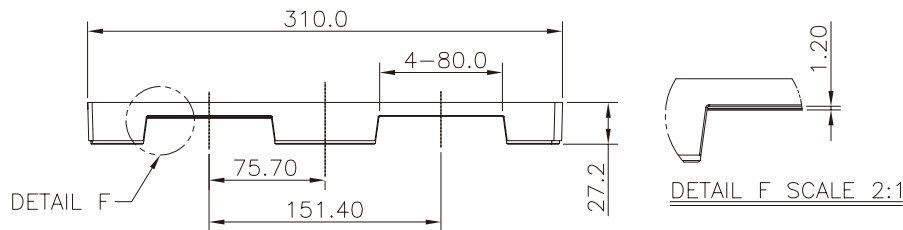
照片框

ORDER INFORMATION

DIM1-VM-240V15-LF

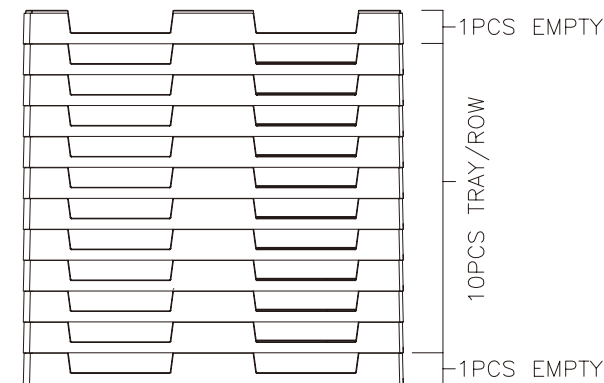
SERIES | 1.5V | LEADFREE  
240WAY  
METAL  
180°SMT

DESCRIPTION:



TWO ROW

TRAY:24PCS/TRAY  
 CARTON:20TRAY/CATRON  
 CARTON:20TRAY/CARTON\*24PCS/TRAY=480PCS/CARTON



**RoHS Compliant**

TOLERANCES ARE

**MORETHANALL**  
 PCB CONNECTORS  
 Cable ASSEMBLIES

煜倫股份有限公司

www.morethanall.com

DRAWING BY CY

CHECKED BY GENIUS

UNIT/mm

SCALE 1:1

DATE

SIZE A4

PPOJECTION

X. ±  
 .X ± 0.35  
 .XX ± 0.25  
 .XXX ± 0.15  
 ANG ±

照片框

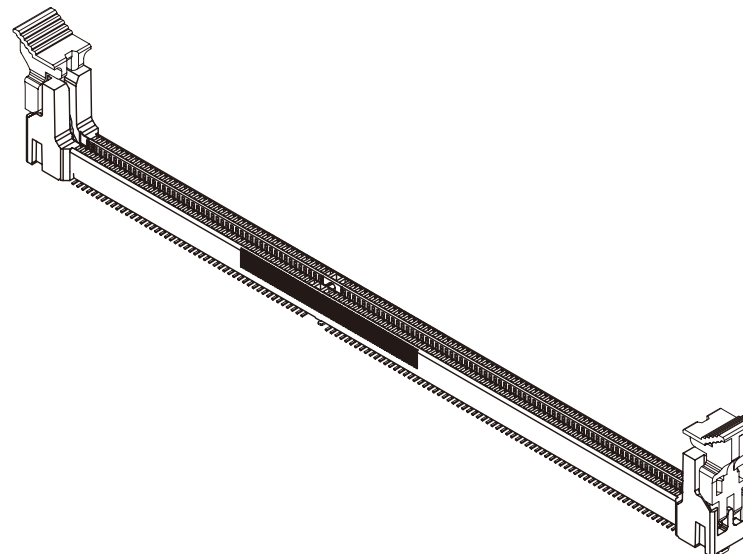
**ORDER INFORMATION**

**DIM1-VM-240V15-LF**  
 SERIES | 1.5V LEADFREE  
 METAL 240WAY  
 180°SMT

DESCRIPTION:

NOTES:

1. MATERIAL
  - 1-1. HOUSING: LCP+40%GF OR LCP+PPS, UL94V-0, COLOR: BLACK.(SEE TABLE)
  - 1-2. EJECTOR: PA9T+45%GF, UL94V-0, COLOR: BLACK.  
OR PA9T+33%GF, UL94V-0, COLOR: NATURAL(BEIGE).
  - 1-3. CAP: LCP+40%GF, UL94V-0, COLOR: BLACK.
  - 1-4. CONTACT: SPECIFIC COPPER NKC286 OR PHOSPHOR BRONZE-C5210.(SEE TABLE)
  - 1-5. HOOK: BRASS-C2680.
2. PLATING SPECIFICATION:
  - 2-1. CONTACT: NICKEL 50u" MIN. UNDER PLATING OVER ALL.  
MATTE TIN 80-150u" PLATING ON SOLDER AREA.  
CONTACT AREA PLATING Au SEE TABLE.
  - 2-1. HOOK: NICKEL 50u" MIN. UNDER PLATING OVER ALL.  
MATTE TIN 80-150u" PLATING ON SOLDER AREA.
3. MODULE LAYOUT SHOULD MEET JEDEC MO-269B SPEC.
4. PRODUCT SPECIFICATION: **DIM1-VM1-240**
5. MECHANICAL PERFORMANCE:
  - 5-1. INSERTION FORCE: 10.8Kgf MAX..
  - 5-2. DURABILITY: 25 CYCLES
  - 5-3. RETENTION FORCE: 0.30Kgf/PIN MIN..
  - 5-4. UNMATING FORCE: 1.68Kgf MIN..
6. ELECTRICAL PERFORMANCE:
  - 6-1. VOLTAGE RATING: 1.5V
  - 6-2. LLCR: 10mΩ MAX.(INITIAL), ΔR: 10 mΩ MAX..
  - 6-3. INSULATION RESISTANCE: 500V DC, 1MΩ MIN..
  - 6-4. DIELECTRIC WITHSTANDING VOLTAGE: APPLY 500V AC, NO BREAKDOWN.
  - 6-5. CURRENT: 0.5A MAX PER PIN.
7. THE TEMPERATURE SHALL BE 260±5°C MAINTAINING 10±1 SECONDS.



8. DIMENSION IS FROM THE SMT TAB TO SOLDER TAIL.

9. DIMENSION IS FROM THE HOOK TO SOLDER TAIL.

10. DATE CODE: XXXX WEEK  
YFAR

**RoHS Compliant**

TOLERANCES ARE

**MORETHANALL**  
PCB CONNECTORS  
Cable ASSEMBLIES

DRAWING BY CY

CHECKED BY GENIUS

UNIT/mm SCALE 1:1

DATE

SIZE A4

X. ±  
.X ± 0.35  
.XX ± 0.25  
.XXX ± 0.15  
ANG ±

PJECTION

照片框

**ORDER INFORMATION**

**DIM1-VM-240V15-LF**  
SERIES | | | LEADFREE  
| | | 1.5V  
| | | 240WAY  
| | | METAL  
| | | 180°SMT

DESCRIPTION:

**煜倫股份有限公司**

[www.morethanall.com](http://www.morethanall.com)