

DATE	CODE	DESCRIPTION
15	13	6
		— Saturday
		— 13 Weeks
		— Year

PCB LAYOUT(T=1.57mm)
COMPONENT SIDE

ORDER INFORMATION

DIM085-DZ-288V12-LF
 SERIES | LEADFREE
 | 1.2V
 | 288 WAY
 CLIP
 DIP 180°

RoHS Compliant

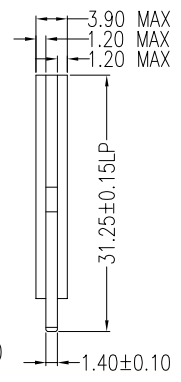
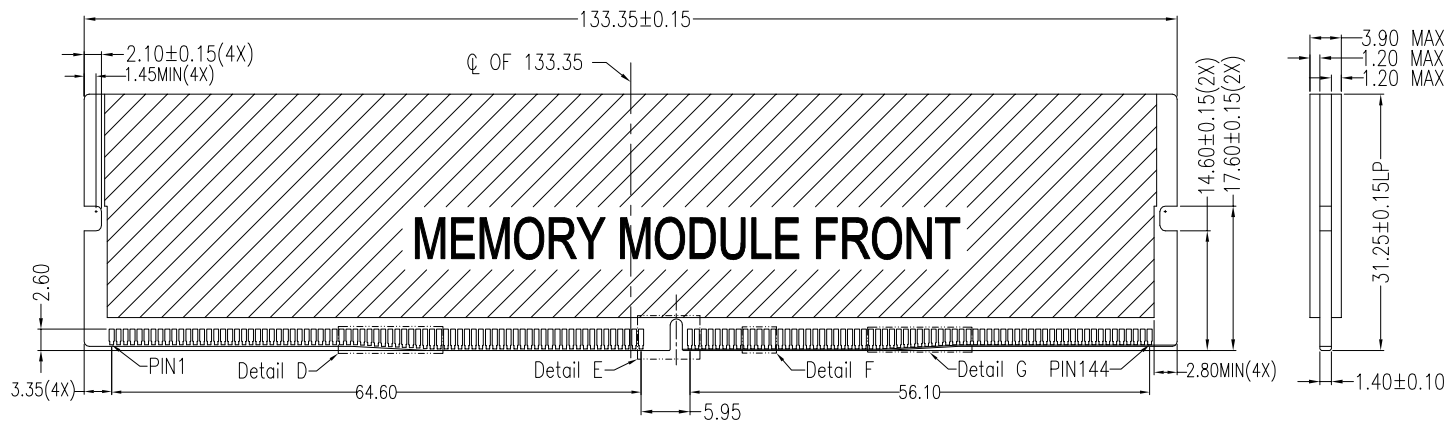
DRAWING BY CY
 CHECKED BY GENIUS
 UNIT / mm SCALE 1 : 1
 DATE
 SIZE A4 PPROJECTION

TOLERANCES ARE
 X, ±
 .X ± 0.35
 .XX ± 0.25
 .XXX ± 0.15
 ANG ± 3°



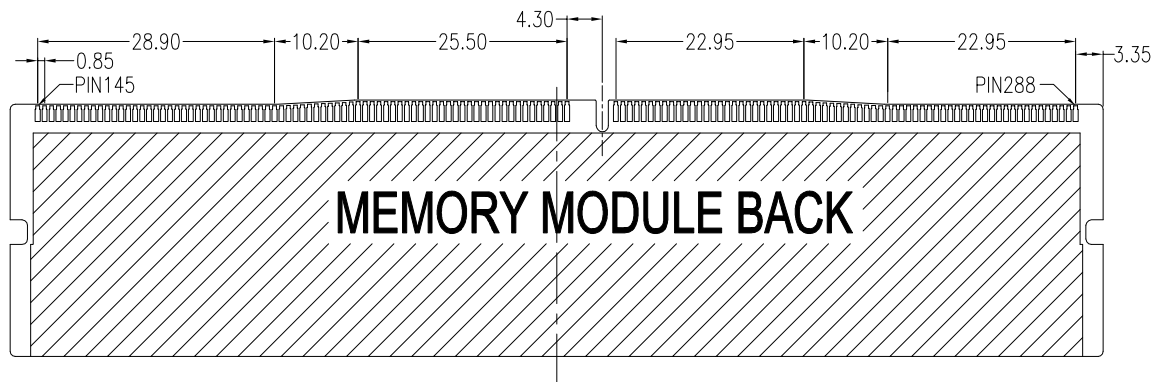
DESCRIPTION: DDR4-288P 0.85mm Pitch DIP Ejector Type

MORETHANALL
 PCB CONNECTORS
 Cable ASSEMBLIES
煜倫股份有限公司
 www.morethanall.com

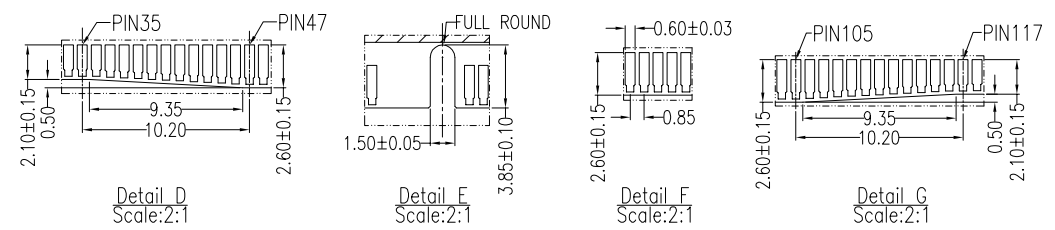


NOTES

- * **MATERIAL:**
 Body: Nylon66, UL 94V-0 rated,color:selective;
 Ejector: Nylon66,UL 94V-0 rated,color:selective;
 Contact: Copper alloy;
 Plating: Au Plating on contact area
 Sn(100u"Min) plating on solder Tail
 Ni(50u"Min) contact underplating overall.
 Harpoon: Brass;
 Plating: Ni(50u"Min) Overall.
- * **MECHANICAL:**
 Contact Retention Force: 300 Grams Min. Per Pin;
 Insertion Force: 10.88Kgf Max. With Module Thickness 1.50mm;
 Unmating Force: 14gf Min. Per Pin Pair With Module Thickness 1.30mm;
 Durability: 25 cycles;
- * **ELECTRICAL SPECIFICATION**
 Contact Resistance: 10mΩ Max. Initial ,Change Value to 20mΩ Max;
 Insulation Resistance: Apply 500V DC 1MΩ Min. ;
 Withstand Voltage: 500V AC.
- * **ENVIRONMENTAL:**
 Solderability: Compliance with EIA-364-52,Class 2,Catgory 3;
 Vibration: Compliance with EIA-364-28;
 Humidity: Compliance with EIA-364-21;
 Thermal shock: Compliance with EIA-364-32;
 Operating Temperature: -55°C TO +85°C;
 Mechanical shock: Compliance with EIA-364-27.



Recommended Memory Module Layout



RoHS Compliant

TOLERANCES ARE

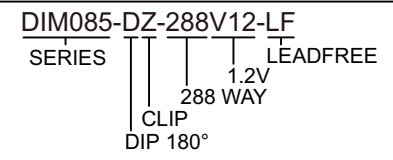
MORETHANALL
 PCB CONNECTORS
 Cable ASSEMBLIES
 煜倫股份有限公司
 www.morethanall.com

DRAWING BY CY	
CHECKED BY GENIUS	
UNIT / mm	SCALE 1 : 1
DATE	
SIZE A4	PJECTION

X, ±
.X ± 0.35
.XX ± 0.25
.XXX ± 0.15
ANG ± 3°



ORDER INFORMATION



DESCRIPTION: DDR4-288P 0.85mm Pitch DIP Ejector Type