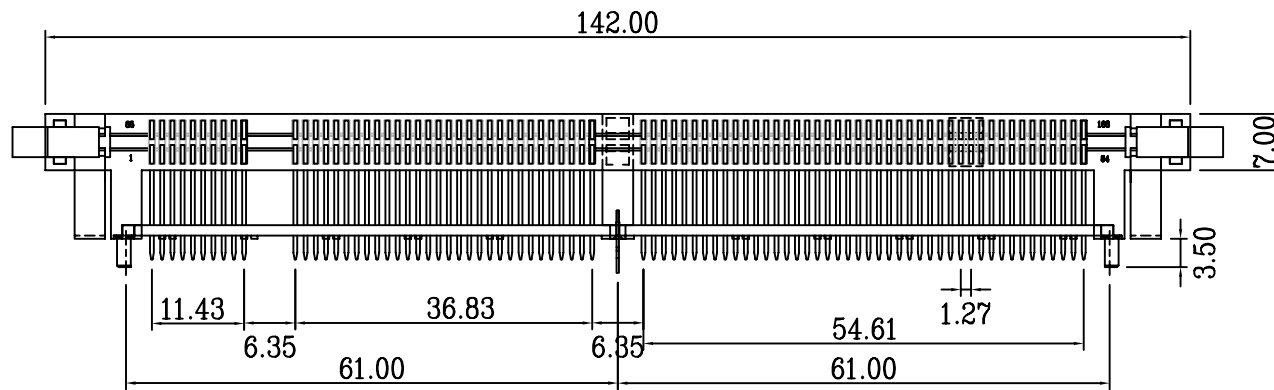
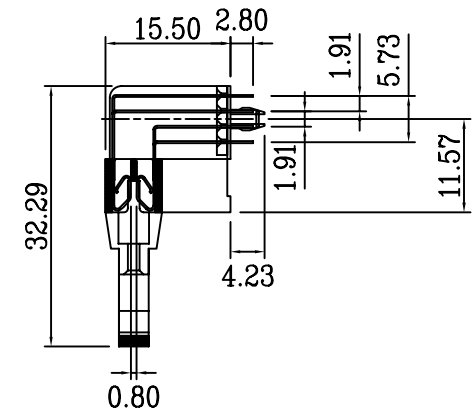
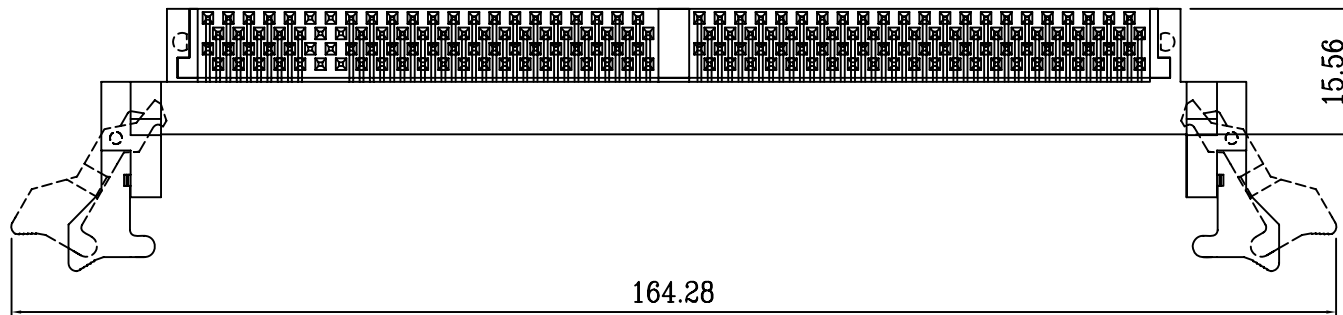


1 2 3 4 5 6 7 8 9 0

J
I
H
G
F
E
D
C
B
A



DIM-L15-168-LF
LEADFREE
RoHS Compliant



PART NO. DIM-L15-168

DWG NO. DIM-L15-168

FILE NO.

UNIT / mm

SCALE 1:1

CHECKED BY CY

DRAWING BY

PROJECTION

TOLERANCES ARE
.X ± 0.2
.XX ±
.XXX ±
AWG

DESCRIPTION:

Dimm Socket 168P 90°

AREA	REVISIONS	HK	DATE

焜倫股份有限公司