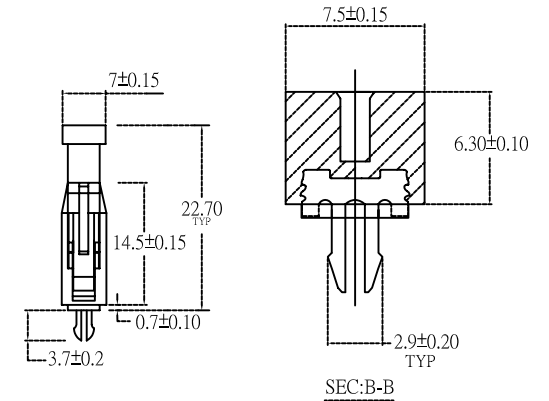
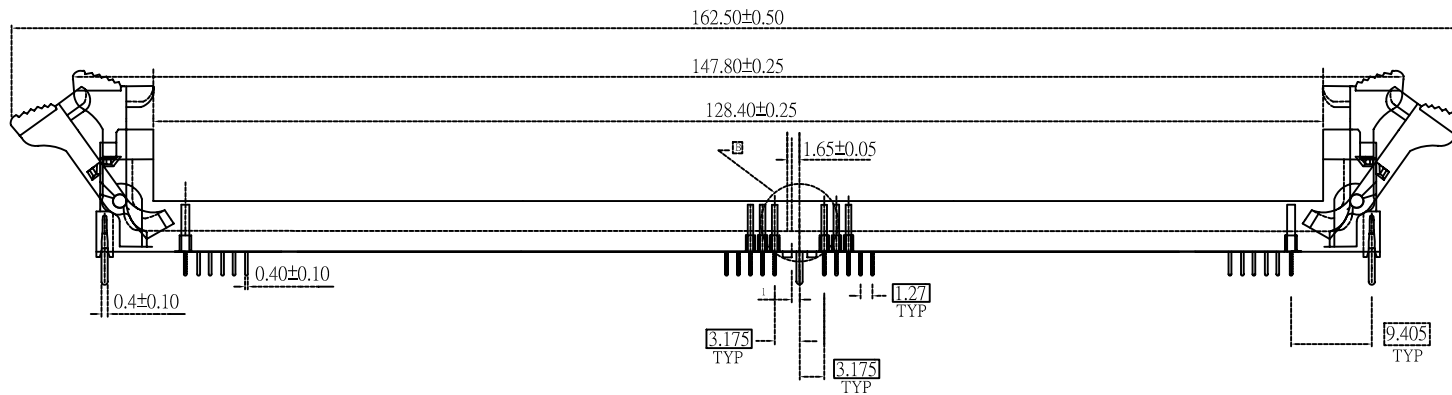
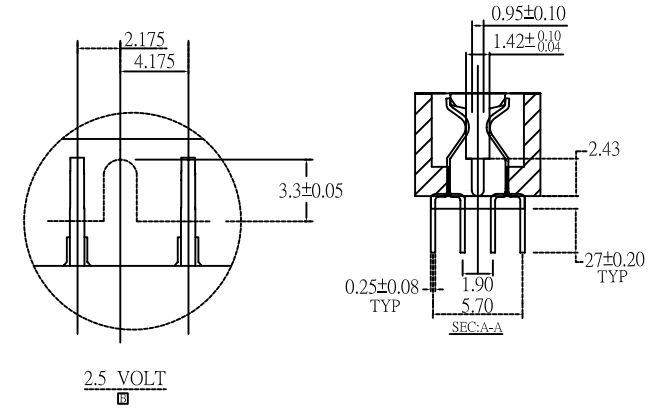


TOP VIEW WITHOUT EXTRACTORS



**RoHS Compliant**

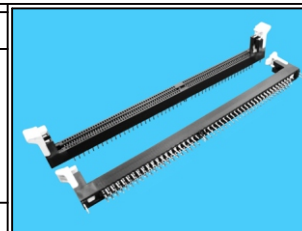
TOLERANCES ARE

**MORETHANALL**  
PCB CONNECTORS  
Cable ASSEMBLIES  
**煜倫股份有限公司**

DRAWING BY CY  
CHECKED BY GENIUS  
UNIT / mm SCALE 1 : 1  
DATE

X. ±  
.X ±  
.XX ±  
.XXX ±  
ANG ±

SIZE A4 PROJECTION



**ORDER INFORMATION**

**DIM-DZ-184-LF**  
SERIES | LEADFREE  
184 WAY  
CLIP  
DIP 180°

DESCRIPTION: DIMM 1.27 184P

[www.morethanall.com](http://www.morethanall.com)