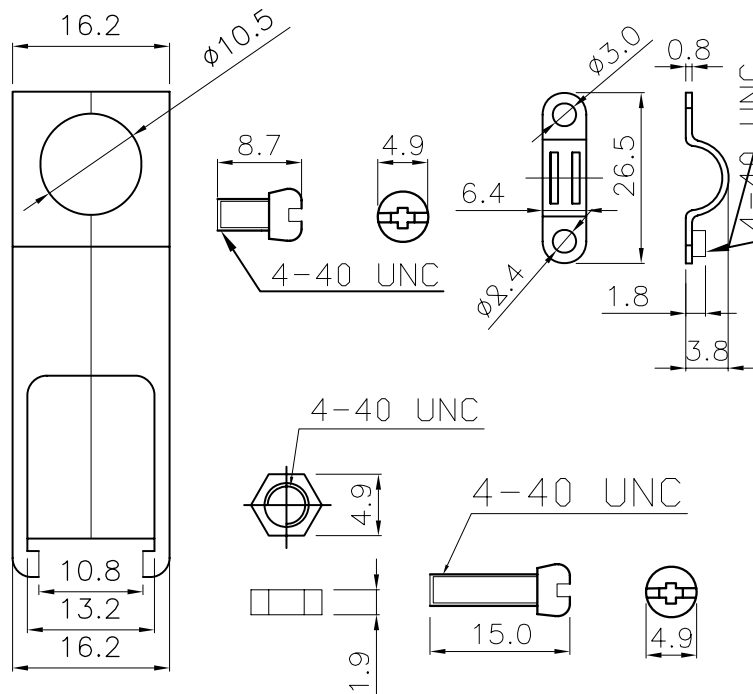
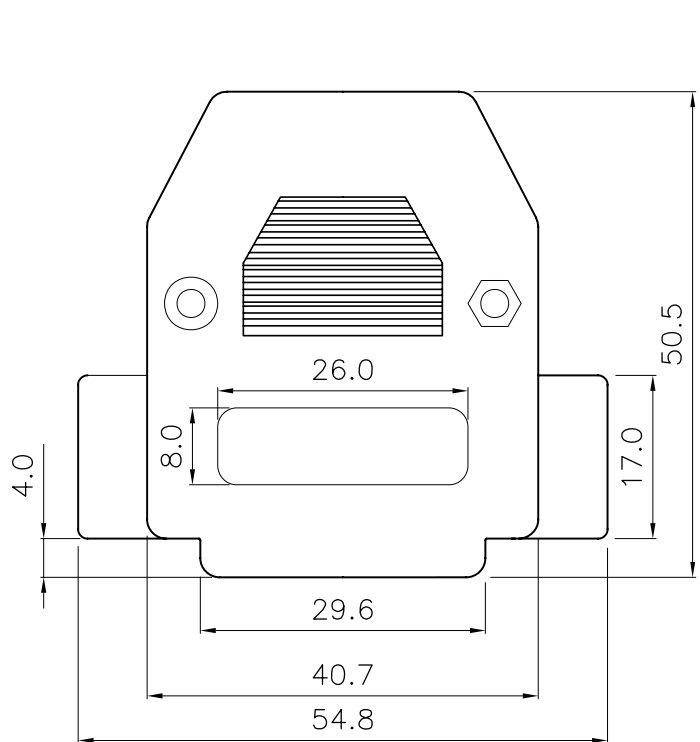


MATERIAL:
 INSULATOR : ABS UL94HB
 SCREW: STEEL
 FINISHED : CHROMATE PLATED
 (45度,側面出線殼系列)



RoHS Compliant

TOLERANCES ARE

MORETHANALL
 PCB CONNECTORS
 Cable ASSEMBLIES

DRAWING BY CY

X. ± 0.50

CHECKED BY GENIUS

.X ± 0.30

UNIT / mm

SCALE 1 : 1

.XXX ±

DATE

ANG ±

照片框

ORDER INFORMATION

DHR-x1T-25-LF
 SERIES | 25 WAY | LEADFREE
 THUMBSCREW
 SINGLE PACKING
 K:BLACK
 G:GRAY
 C:METALIZED

煜倫股份有限公司

www.morethanall.com

SIZE A4

PJECTION

DESCRIPTION: D-SUB PLASTIC HOOD,25P SIDE ENTRY TYPE, LONG SCREW