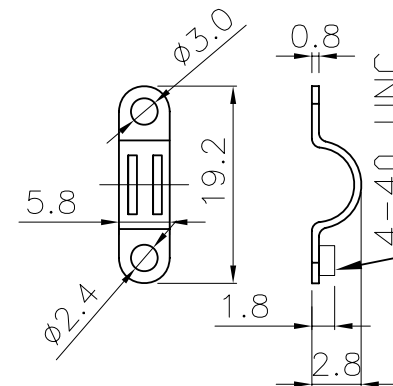


MATERIAL:
INSULATOR : ABS UL94HB
SCREW: STEEL
FINISHED : CHROMATE PLATED



MORETHANALL
PCB CONNECTORS
Cable ASSEMBLIES

煜倫股份有限公司

www.morethanall.com

RoHS Compliant

DRAWING BY CY

CHECKED BY GENIUS

UNIT / mm

SCALE 1:1

DATE

SIZE A4

PJECTION

TOLERANCES ARE

X. ±

.X ±

.XX ±

.XXX ±

ANG ±

照片框

ORDER INFORMATION

DHLA-x1TM26-15-LF

SERIES

LEADFREE

15WAY

#M2.6

THUMBSCREW

SINGLE PACKING

B:BEIGE
C:CHROMATE PLATED
G:GRAY
K:BLACK

DESCRIPTION: D-SUB PLASTIC HOOD,V-TYPE 15P LONG EAR ,LONG SCREW