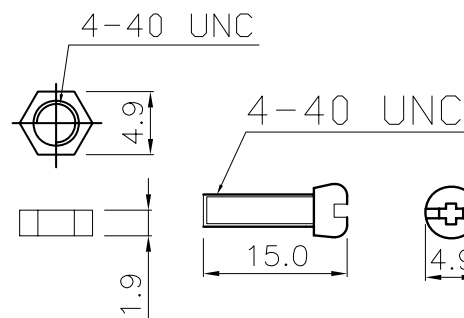
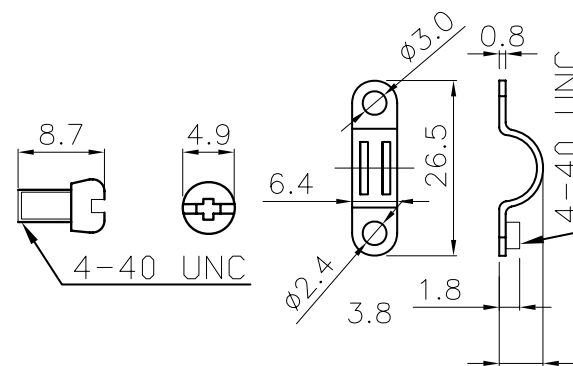
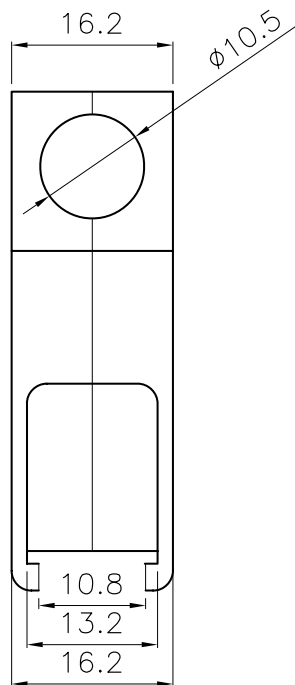
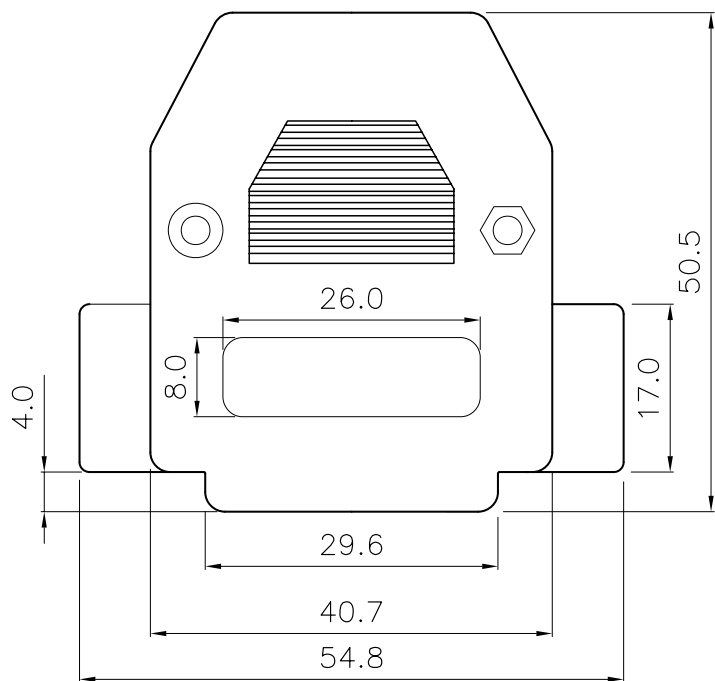


MATERIAL:
 INSULATOR : ABS UL94HB
 SCREW: STEEL
 FINISHED : CHROMATE PLATED



RoHS Compliant

TOLERANCES ARE

MORETHANALL
 PCB CONNECTORS
 Cable ASSEMBLIES

煜倫股份有限公司

www.morethanall.com

DRAWING BY CY
 CHECKED BY GENIUS
 UNIT / mm SCALE 1:1
 DATE
 SIZE A4 PPROJECTION

X.±
 .X±
 .XX±
 .XXX±
 ANG±

照片框

ORDER INFORMATION

DHLA-x1T-25-LF

SERIES T LEADFREE
 25WAY
 THUMBSCREW
 SINGLE PACKING

B:BEIGE
 C:CHROMATE PLATED
 G:GRAY
 K:BLACK

DESCRIPTION: D-SUB PLASTIC HOOD,25P SIDE ENTRY TYPE, LONG SCREW