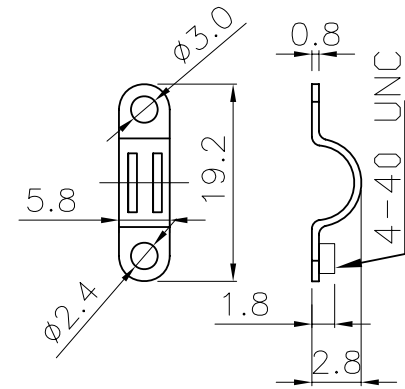


MATERIAL:
 INSULATOR : ABS UL94HB
 SCREW: STEEL
 FINISHED : CHROMATE PLATED



MORETHANALL
 PCB CONNECTORS
 Cable ASSEMBLIES
 煜倫股份有限公司
 www.morethanall.com

RoHS Compliant

DRAWING BY CY
 CHECKED BY GENIUS
 UNIT / mm SCALE 1:1
 DATE
 SIZE A4 PPROJECTION

TOLERANCES ARE
 X. ±
 .X ±
 .XX ±
 .XXX ±
 ANG ±

照片框

ORDER INFORMATION

DHLA-x1T-15-LF
 SERIES
 LEADFREE
 15WAY
 THUMBSCREW
 SINGLE PACKING
 B:BEIGE
 C:CHROMATE PLATED
 G:GRAY
 K:BLACK

DESCRIPTION: D-SUB PLASTIC HOOD,V-TYPE 15P LONG EAR ,LONG SCREW