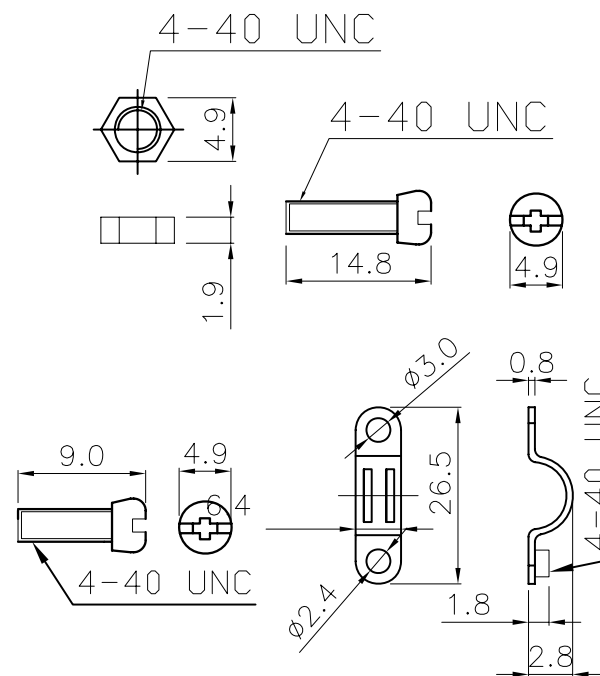
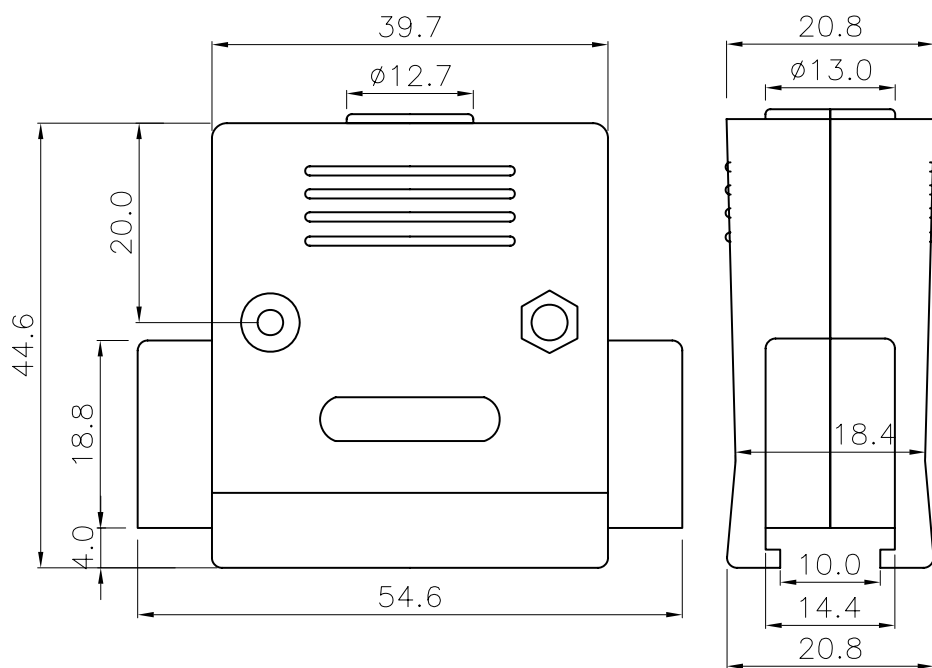


MATERIAL:  
INSULATOR : ABS UL94HB  
SCREW: STEEL  
FINISHED : CHROMATE PLATED



**MORETHANALL**  
PCB CONNECTORS  
Cable ASSEMBLIES

煜倫股份有限公司

www.morethanall.com

RoHS Compliant

DRAWING BY CY

CHECKED BY GENIUS

UNIT / mm SCALE 1 : 1

DATE

SIZE A4

TOLERANCES ARE

X.  $\pm 0.50$

.X  $\pm 0.30$

.XX  $\pm 0.20$

.XXX  $\pm$

ANG  $\pm$

PPOJECTION

照片框

ORDER INFORMATION

DHL-G1-25-LF

SERIES | LEADFREE  
25 WAY  
SINGLE PACKING  
GRAY

DESCRIPTION: D-SUB PLASTIC HOOD,U-TYPE 25P LONG EAR ,SHORT SCREW