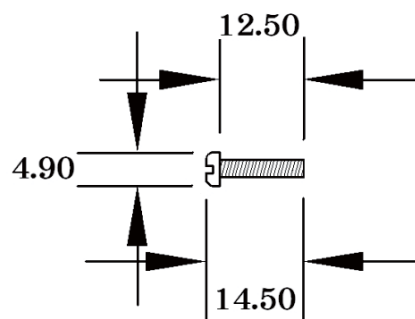
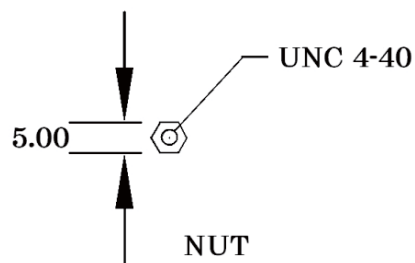
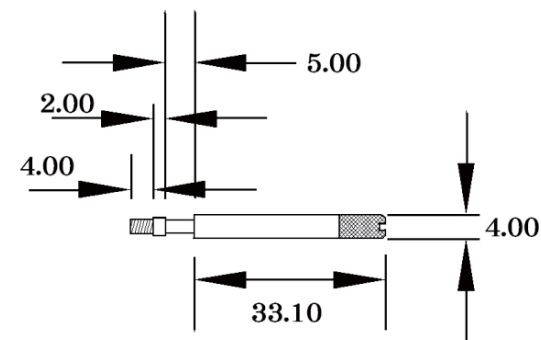


A: FOR CABLE DIA. 7.5, 9, 11, 13,



Screw #4-12.5 UNC 4-40



RoHS Compliant

TOLERANCES ARE

**MORETHANALL**  
PCB CONNECTORS  
Cable ASSEMBLIES

煜倫股份有限公司

www.morethanall.com

DRAWING BY CY

CHECKED BY GENIUS

UNIT / mm SCALE 1 : 1

DATE

SIZE A4

X, ±

.X ±

.XX ±

.XXX ±

ANG ±

P PROJECTION

照片框

ORDER INFORMATION

DHAR-N1DxxT-25-LF

SERIES 25WAY LEADFREE

THUMBSCREW  
D07: CABLE DIA 7.5mm  
D09: CABLE DIA 9.0mm

SINGLE PACKING

DESCRIPTION: