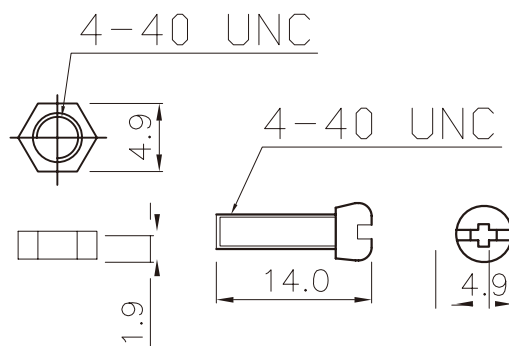
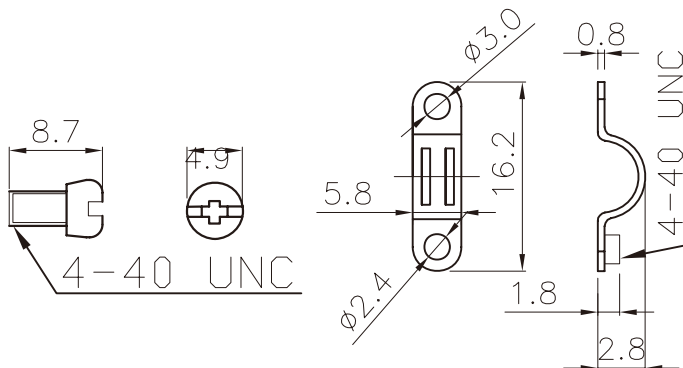
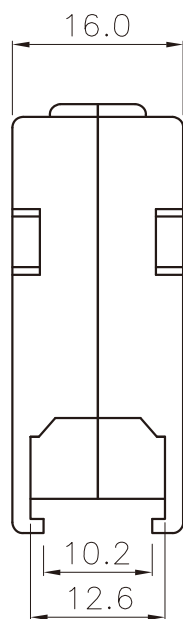
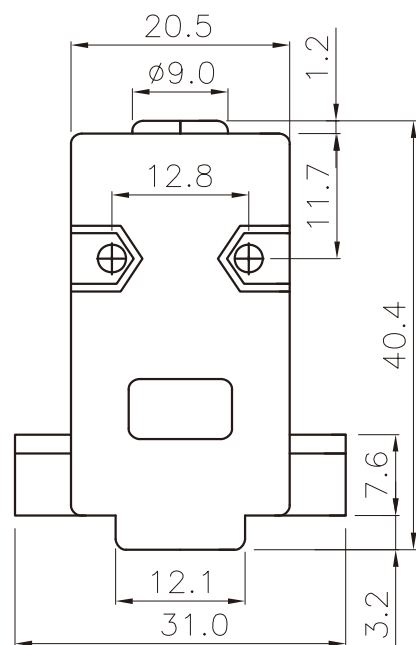


MATERIAL:
INSULATOR : ABS UL94HB
SCREW: STEEL



Packing:
D-Hood:500 Set (1K pcs) / bag
hardware:1k set (2k pcs) / bag (for each type)

RoHS Compliant

TOLERANCES ARE

MORETHANALL
PCB CONNECTORS
Cable ASSEMBLIES

DRAWING BY CY

CHECKED BY GENIUS

UNIT / mm SCALE 1:1

DATE

SIZE A4

X: ±
.X ±
.XX ±
.XXX ±
ANG ±

P PROJECTION

照片框

ORDER INFORMATION

DH-x2-09-LF
SERIES | T LEADFREE
| 09 WAY
B: BEIGE SINGLE PACKING 2K/PCS
G: GRAY
K: BLACK
C: METALIZED

DESCRIPTION: D-SUB PLASTIC HOOD,09P STANDARD TYPE,SHORT SCREW

煜倫股份有限公司

www.morethanall.com