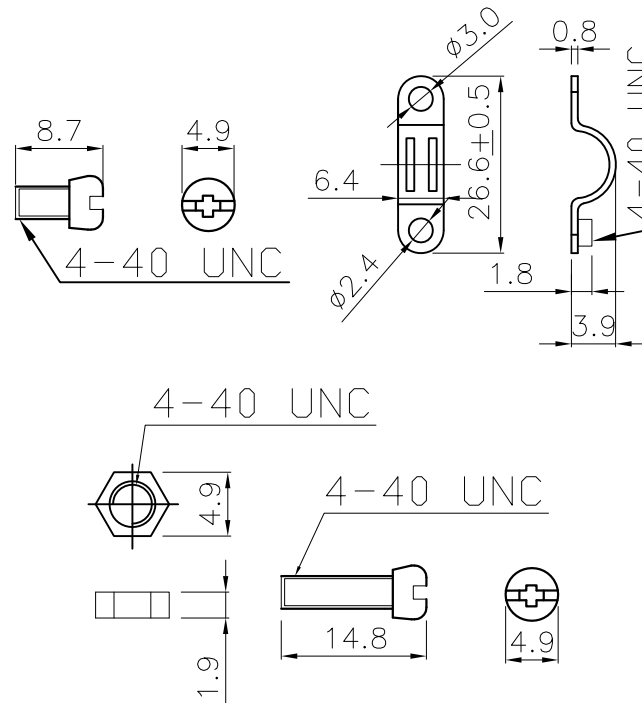
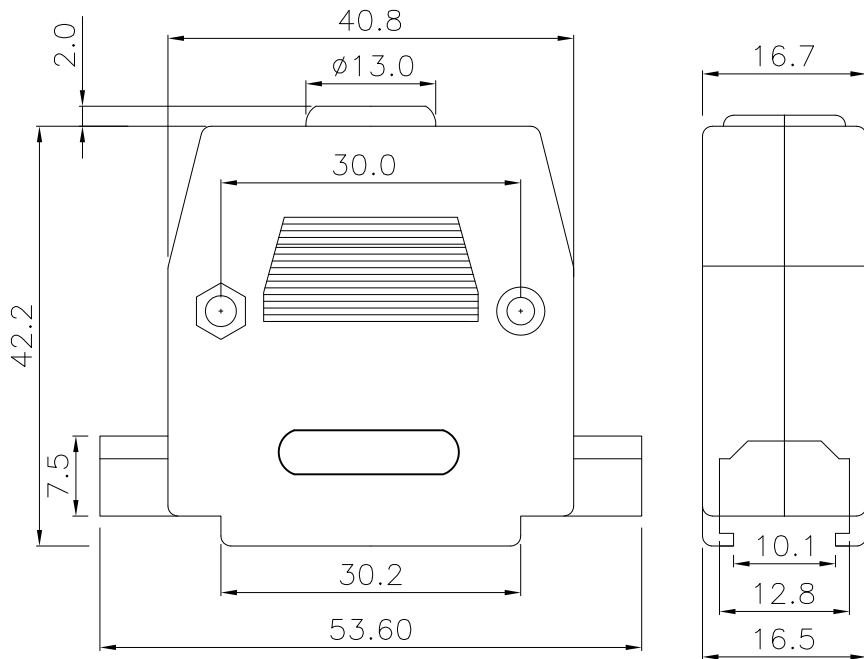


MATERIAL:  
 INSULATOR : ABS UL94HB  
 SCREW: STEEL  
 FINISHED : CHROMATE PLATED



**MORETHANALL**  
 PCB CONNECTORS  
 Cable ASSEMBLIES  
 煜倫股份有限公司  
 www.morethanall.com

RoHS Compliant

TOLERANCES ARE

DRAWING BY CY  
 CHECKED BY GENIUS  
 UNIT / mm SCALE 1:1  
 DATE

X. ±  
 .X ± 0.30  
 .XX ± 0.20  
 .XXX ±  
 ANG ± 5°

SIZE A4 PROJECTION

照片框

ORDER INFORMATION

DH-K1XS-25-LF  
 SERIES LEADFREE  
 25 WAY  
 WITHOUT SQUARE WASHER  
 SINGLE PACKING  
 BLACK

DESCRIPTION: D-SUB PLASTIC HOOD, 25P STANDARD TYPE SHORT SCREW