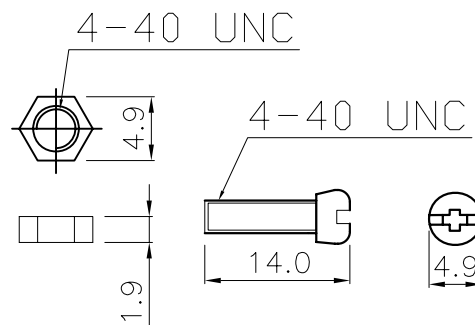
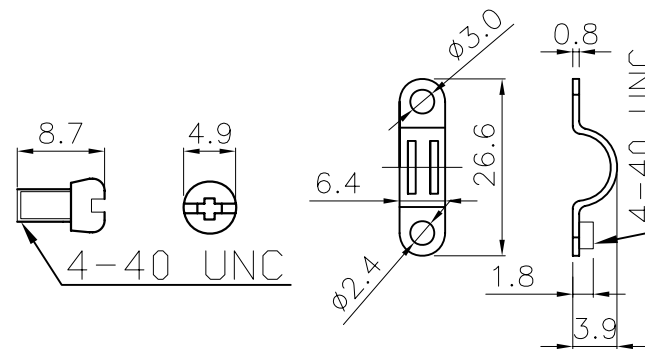
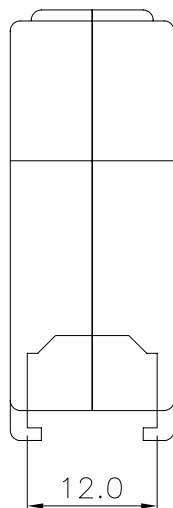
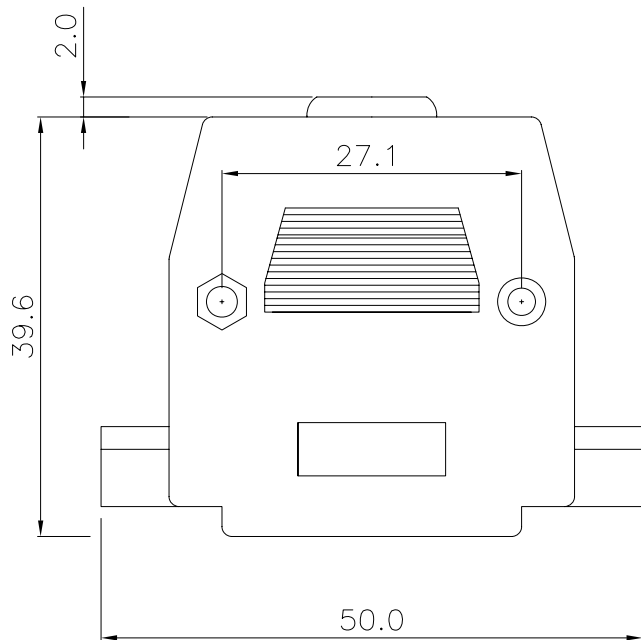


MATERIAL:  
 INSULATOR : ABS UL94HB  
 SCREW: STEEL  
 FINISHED : CHROMATE PLATED  
 R=ROHS環保料件,  
 TYPE OPTION:  
 101=STANDARD TYPE SHORT SCREW  
 ( 一般裝配殼+短螺絲系列 )  
 INSULATOR COLOR:  
 G=GREY ( 灰色 )



RoHS Compliant

TOLERANCES ARE

**MORETHANALL**  
 PCB CONNECTORS  
 Cable ASSEMBLIES

煜倫股份有限公司

www.morethanall.com

DRAWING BY CY

CHECKED BY GENIUS

UNIT / mm

SCALE 1 : 1

DATE

SIZE A4

P PROJECTION

X. ± 0.50  
 .X ± 0.30  
 .XX ± 0.20  
 .XXX ±  
 ANG ± 5°

照片框

ORDER INFORMATION

DH-G1-23-LF  
 SERIES | LEADFREE  
 23WAY  
 SINGLE PACKING  
 GREY

DESCRIPTION: D-SUB PLASTIC HOOD,23P STANDARD TYPE,SHORT SCREW