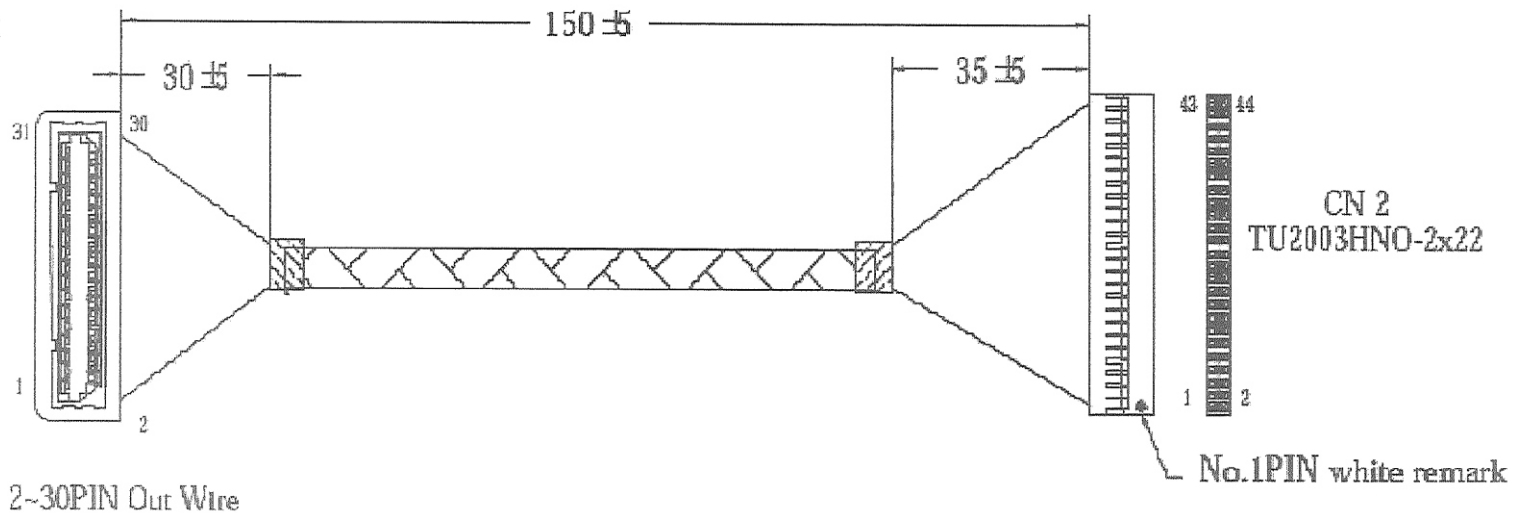


DRAWING:



CN 1	COLOR	CN 2
1	Black	3
2	Brown	35
3	Red	38
4	Orange	36
5	Yellow	4
6	Green	25
7	Blue	26
8	Purple	27
9	Gray	28
10	White	29
11	Black	30
12	Brown	8
13	Red	17
14	Orange	18
15	Yellow	19

CN 1	COLOR	CN 2
16	Green	20
17	Blue	21
18	Purple	22
19	Gray	33
20	White	9
21	Black	10
22	Brown	11
23	Red	12
24	Orange	13
25	Yellow	14
26	Green	34
27	Blue	37
28	Purple	43
29	Gray	44
30	X	
31	Black	6

DF9MPV-31B22-F15C-LF
LEADFREE

RoHS Compliant

MORETHANALL
CONNECTORS
ASSEMBLIES

PART NO. DF9MPV-31B22-F15C

DWG NO. DF9MPV-31B22-F15C

CHECKED BY CY

TOLERANCES ARE

.X ± 0.2
.XX ± 0.1
.XXX ±
AWG

DESCRIPTION:

焯倫股份有限公司

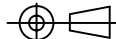
FILE NO.

DRAWING BY

UNIT / mm

SCALE 1:1

PROJECTION



AREA

REVISIONS

HK

DATE