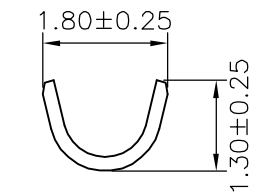
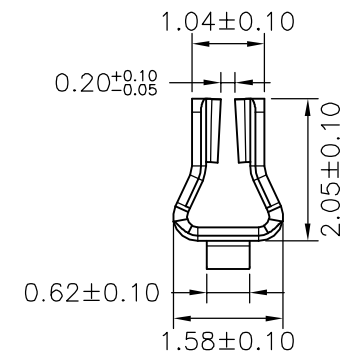


SEC:A-A



SEC:B-B



SEC:C-C

Ordering Information & Specifications

Part No	Wire Range	INSULATION O.D.	Material	Finish	Qty/reel
DF3-TG-22	AWG#22~28	1.45mm(max)	Phosphor Bronze	Gold-flash	10,000pcs

RoHS Compliant

TOLERANCES ARE

MORETHANALL
PCB CONNECTORS
Cable ASSEMBLIES

煜倫股份有限公司

www.morethanall.com

DRAWING BY CY

CHECKED BY GENIUS

UNIT/mm SCALE 1:1

DATE

SIZE A4

X, ±
.X ± 0.25
.XX ± 0.15
.XXX ± 0.05
ANG ±

PJECTION

照片框

ORDER INFORMATION

DF3-TG-22-LF
SERIES | LEADFREE
22~28AWG
GOLD
TERMINAL

DESCRIPTION: 2.00mm PITCH CRIMP TERMINAL