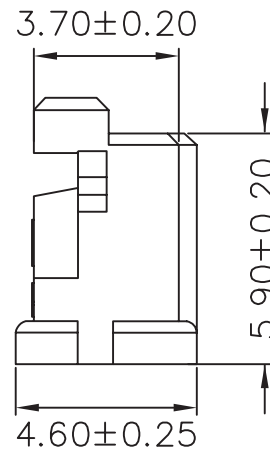
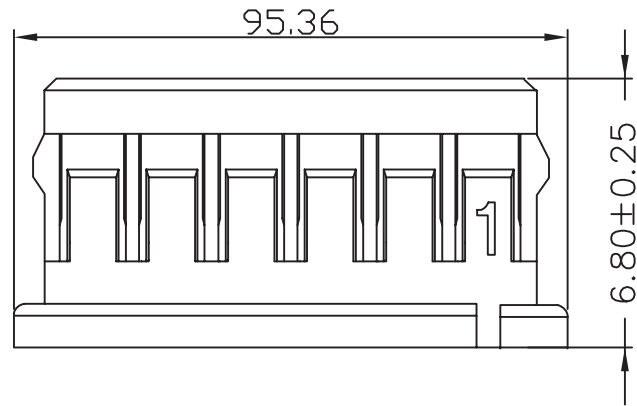
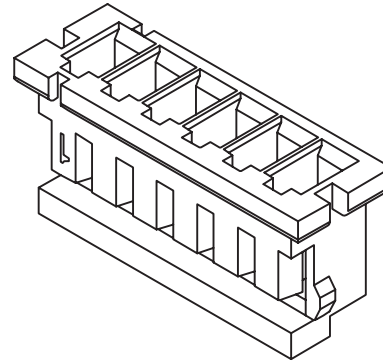
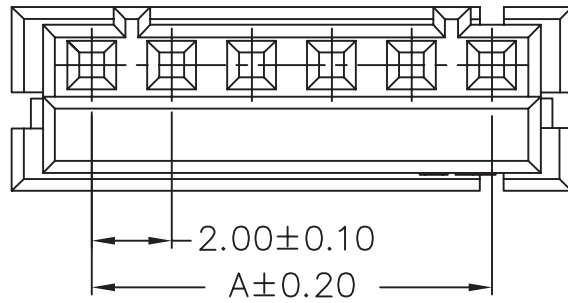


SPECIFICATIONS

Current Rating: 3A AC,DC
 Voltage Rating: 250V AC,DC
 Temperature Range: -25°C ~ +85°C
 Contact Resistance: 30m ohm Min.
 Insulation Resistance: 1000 M OHM Min.
 Withstanding Voltage: 650V AC/minute
 Material: Nylon 66,UL94V-0
 Color: Black

Ordering Information & Dimensions

PART NO.	Dimensions	
	A	B
DF3-H-02	2.00	6.00
DF3-H-03	4.00	8.00
DF3-H-04	6.00	10.00
DF3-H-05	8.00	12.00
DF3-H-06	10.00	14.00
DF3-H-07	12.00	16.00
DF3-H-08	14.00	18.00
DF3-H-09	16.00	20.00
DF3-H-10	18.00	22.00
DF3-H-11	20.00	24.00
DF3-H-12	22.00	26.00
DF3-H-13	24.00	28.00
DF3-H-14	26.00	30.00
DF3-H-15	28.00	32.00



MORETHANALL
 PCB CONNECTORS
 Cable ASSEMBLIES

煜倫股份有限公司

www.morethanall.com

RoHS Compliant

DRAWING BY CY

CHECKED BY GENIUS

UNIT/mm SCALE 1:1

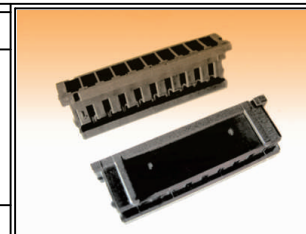
DATE

SIZE A4

TOLERANCES ARE

X. ±
 .X ±
 .XX ±
 .XXX ±
 ANG ±

PJECTION



ORDER INFORMATION

DF3-H-xx-LF
 SERIES | LEADFREE
 | 02~15WAY
 HOUSING

DESCRIPTION: