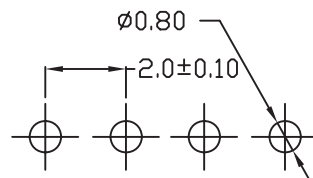
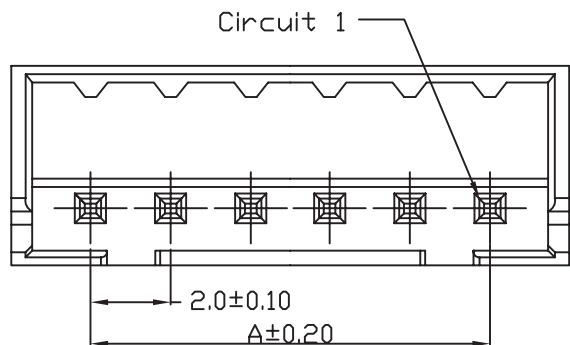
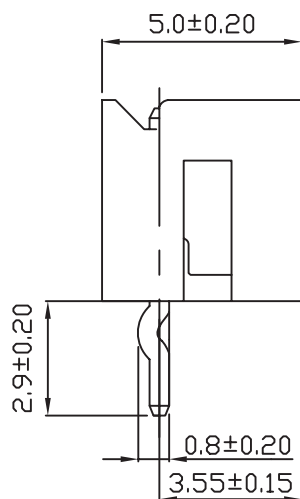
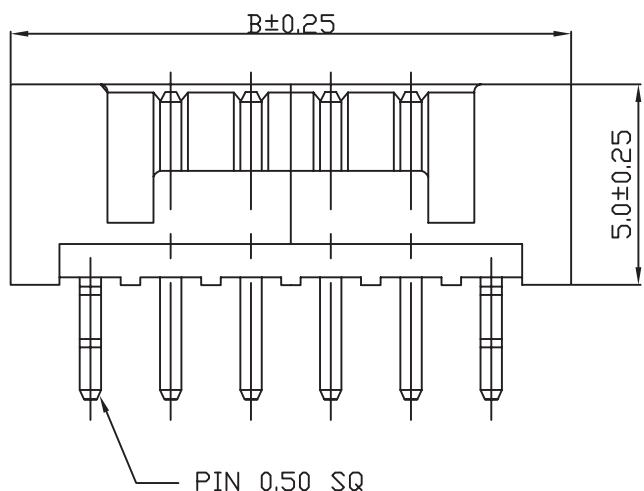


**SPECIFICATIONS**

Current Rating: 3A AC,DC  
 Voltage Rating: 250V AC,DC  
 Temperature Range: -25°C ~ +85°C  
 Contact Resistance: 30m ohm Min.  
 Insulation Resistance: 1000 M OHM Min.  
 Withstanding Voltage: 650V AC/minute  
 Material: Nylon 66,UL94V-0  
 Color: Black



P.C.B LAYOUT



**Ordering Information & Dimensions**

PART NO.	Dimensions	
	A	B
DF3-D-02	2.00	6.00
DF3-D-03	4.00	8.00
DF3-D-04	6.00	10.00
DF3-D-05	8.00	12.00
DF3-D-06	10.00	14.00
DF3-D-07	12.00	16.00
DF3-D-08	14.00	18.00
DF3-D-09	16.00	20.00
DF3-D-10	18.00	22.00
DF3-D-11	20.00	24.00
DF3-D-12	22.00	26.00
DF3-D-13	24.00	28.00
DF3-D-14	26.00	30.00
DF3-D-15	28.00	32.00

**RoHS Compliant**

TOLERANCES ARE

**MORETHANALL**  
 PCB CONNECTORS  
 Cable ASSEMBLIES

煜倫股份有限公司

www.morethanall.com

DRAWING BY CY

CHECKED BY GENIUS

UNIT/mm

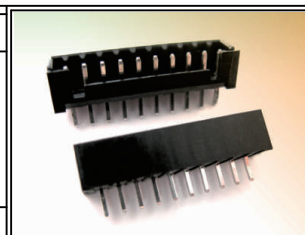
SCALE 1:1

DATE

SIZE A4

PJECTION

X.±  
 .X±  
 .XX±  
 .XXX±  
 ANG±



**ORDER INFORMATION**

DF3-D-xx-LF  
 SERIES | LEADFREE  
 02~15WAY  
 DIP 180°

DESCRIPTION: