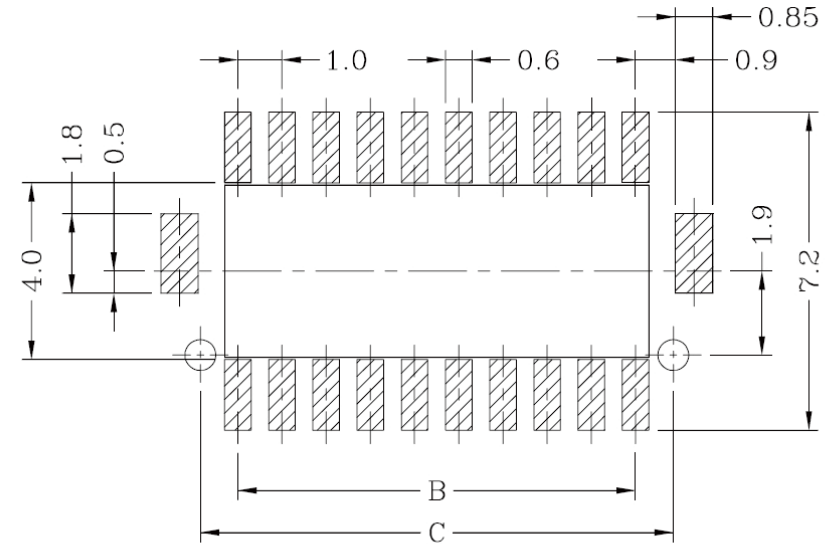
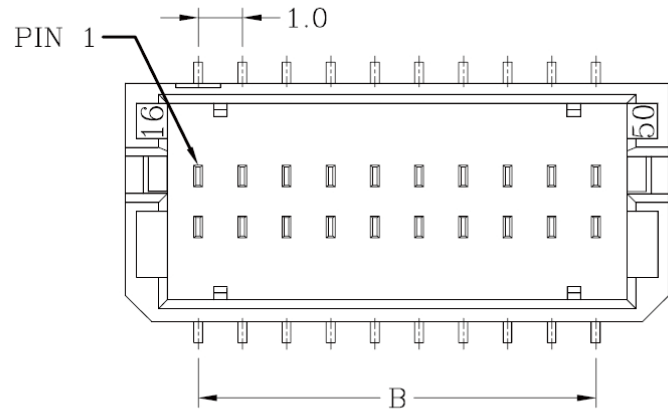
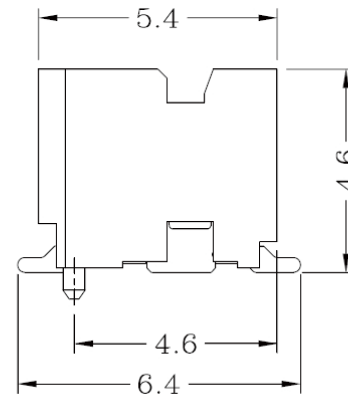
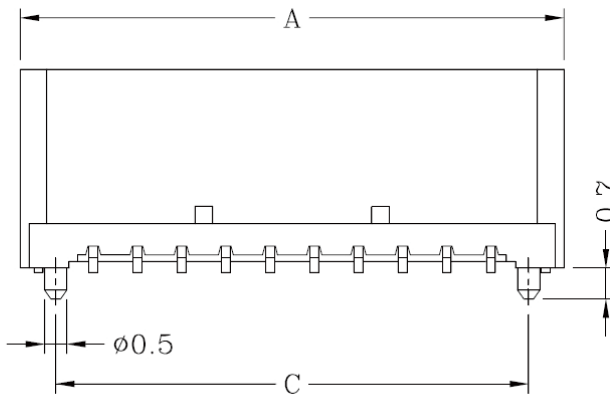


Features:

- * Dual Row
- * Available in 10, 20, 30, 40, 50 circuits
- * Material: Nylon 6T UL 94V-0 (Milky Yellow)
 Contact Post: Phosphor Bronze, Gold Plated
 Solder Tab: 0.20mm^t Brass, Tin Plated



P.C.B. LAYOUT



Dimensional & Ordering Information:

Circuits	Part No.	Dimensions			Pcs/Bag
		A	B	C	
10	DF20-VP-10	7.3	4.0	5.7	1000
20	DF20-VP-20	12.3	9.0	10.7	1000
30	DF20-VP-30	17.3	14.0	15.7	1000
40	DF20-VP-40	22.3	19.0	20.7	1000
50	DF20-VP-50	27.3	24.0	25.7	1000

RoHS Compliant

TOLERANCES ARE



煜倫股份有限公司

www.morethanall.com

DRAWING BY CY

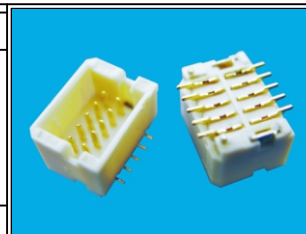
CHECKED BY GENIUS

UNIT / mm SCALE 1 : 1

DATE

SIZE A4 PPROJECTION

X, ±
 .X ±
 .XX ±
 .XXX ±
 ANG ±



ORDER INFORMATION

DF20-VP-xx-LF
 SERIES | LEADFREE
 10.20.3040.50WAY
 POST
 180°SMT

DESCRIPTION: