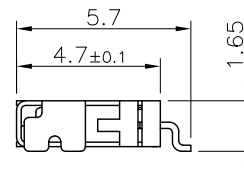
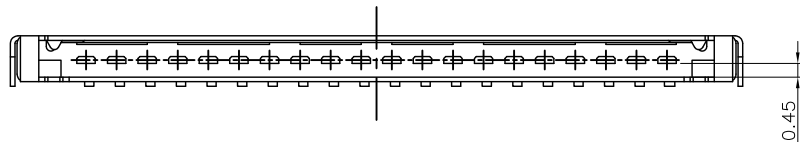


RECOMMENDED PCB LAYOUT(TOP VIEW)



NOTES:

1. INSULATOR: GLASS FILLED NYLON 9T, UL94V-0
2. CONTACT: COPPER ALLOY
3. CONTACT FINISH: 2. GOLD FLASH ON CONTACT OVER NICKEL (LEADFREE)
4. SHELL: TIN
5. PACKING TYPE: R: REEL

RoHS Compliant

TOLERANCES ARE

**MORETHANALL**  
PCB CONNECTORS  
Cable ASSEMBLIES

煜倫股份有限公司

www.morethanall.com

DRAWING BY CY

CHECKED BY GENIUS

UNIT / mm SCALE 1 : 1

DATE

SIZE A4

X, ±  
.X ±  
.XX ±  
.XXX ±  
ANG ±

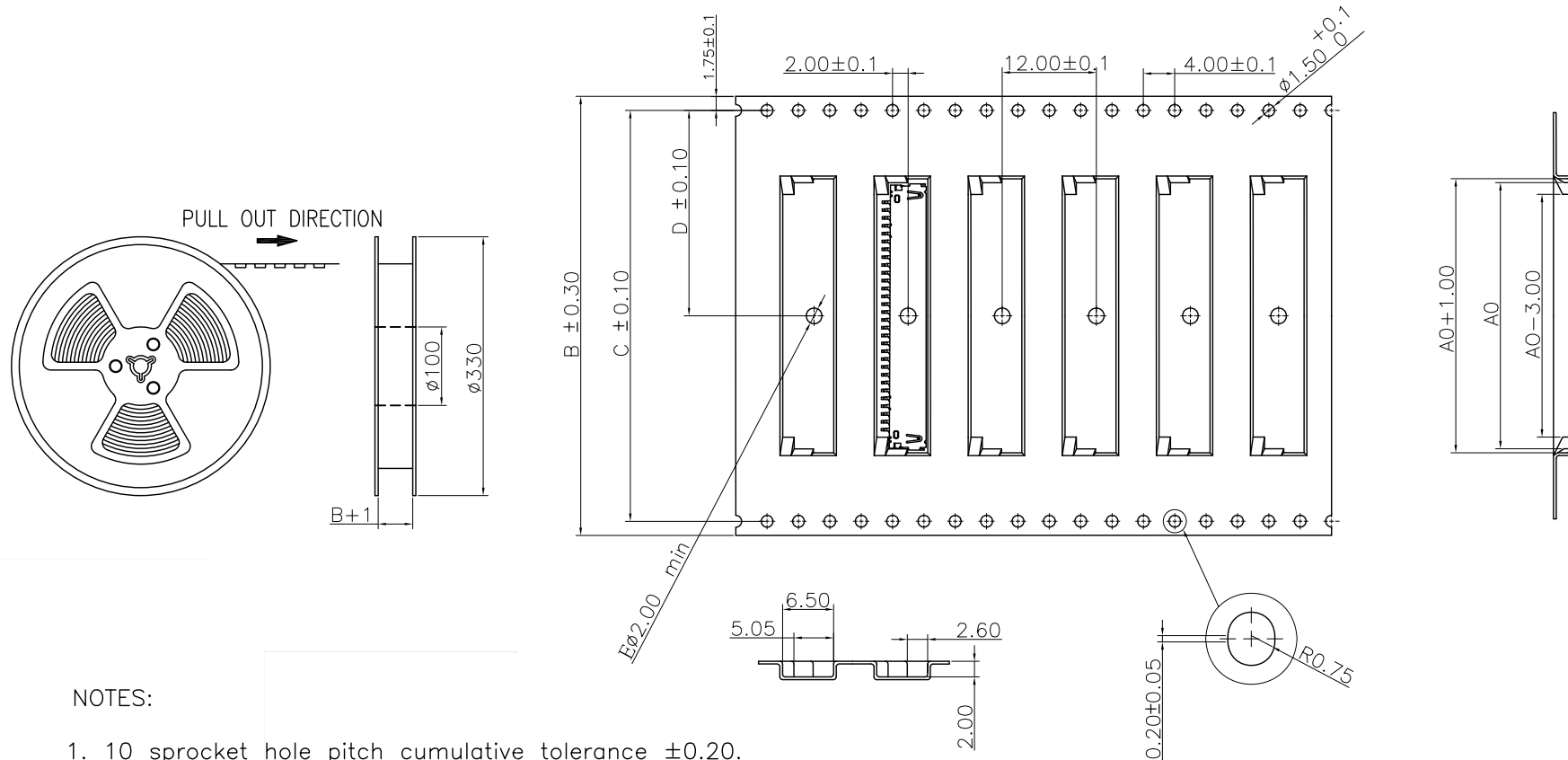
PPOJECTION

照片框

ORDER INFORMATION

DF19-WXR-20-LF  
SERIES | | | LEADFREE  
| | | 20WAY  
| | | REEL  
| | | NON POST  
| | | 90°SMT

DESCRIPTION: 1mm PITCH LOW PROFILE CONNECTOR, BOARD MOUNT (ON-BOARD TYPE)



NOTES:

1. 10 sprocket hole pitch cumulative tolerance  $\pm 0.20$ .
2. Carrier camber is within 1 mm in 250 mm.
3. Material :Black Conductive Polystyrene Alloy (UP-500Q)
4. All dimensions meet EIA-481-B requirements.
5. Thickness:  $0.35 \pm 0.05$ mm.
6. Packing length per 22" reel: 92.5 Meters.
7. Component load per 13" reel: 2500 pcs.

DF19-WXR-20	20	23.95	44.00	40.40	20.20
Part NO .	CKT	A	B	C	D

RoHS Compliant

TOLERANCES ARE

**MORETHANALL**  
PCB CONNECTORS  
Cable ASSEMBLIES

DRAWING BY CY

CHECKED BY GENIUS

UNIT / mm

SCALE 1 : 1

DATE

SIZE A4

X.  $\pm$   
.X  $\pm$   
.XX  $\pm$   
.XXX  $\pm$   
ANG  $\pm$

P PROJECTION

照片框

ORDER INFORMATION

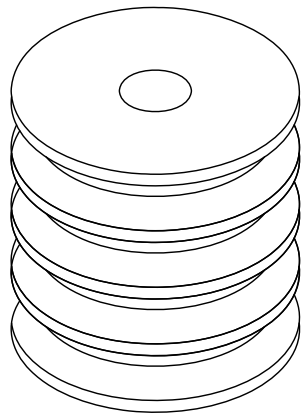
DF19-WXR-20-LF

SERIES LEADFREE  
20WAY  
REEL  
NON POST  
90°SMT

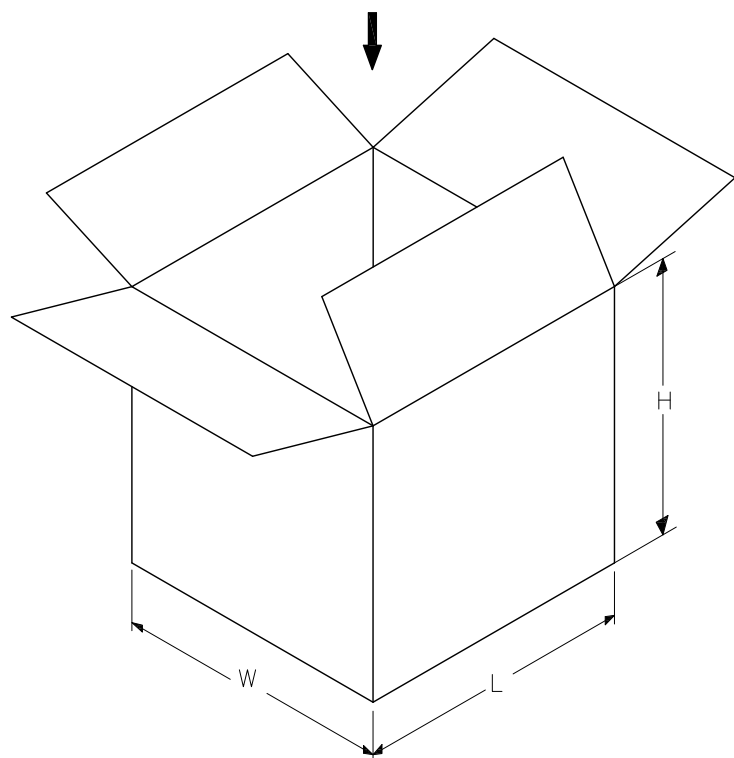
煜倫股份有限公司

www.morethanall.com

DESCRIPTION: 1mm PITCH LOW PROFILE CONNECTOR, BOARD MOUNT (ON-BOARD TYPE)



6RE/BC & 5RE/BC



PACKING MATERIAL

PART NAME	DIM(mm)
REEL	$\phi 300*(B+1)$
BIG CARTON	350X350X340

PACKING CAPACITY

PART NO.	PCS/RE	RE/BC	PCS/BC
DF19-WXR-20	2500PCS/RE	6 RE/BC	15K PCS/BC

RoHS Compliant

TOLERANCES ARE

**MORETHANALL**  
PCB CONNECTORS  
Cable ASSEMBLIES

煜倫股份有限公司

www.morethanall.com

DRAWING BY CY

CHECKED BY GENIUS

UNIT / mm

SCALE 1:1

DATE

SIZE A4

X.  $\pm$   
.X  $\pm$   
.XX  $\pm$   
.XXX  $\pm$   
ANG  $\pm$

PJECTION

照片框

ORDER INFORMATION

DF19-WXR-20-LF  
SERIES LEADFREE  
20WAY  
REEL  
NON POST  
90°SMT

DESCRIPTION: 1mm PITCH LOW PROFILE CONNECTOR, BOARD MOUNT (ON-BOARD TYPE)