

RoHS Compliant

TOLERANCES ARE

MORETHANALL
PCB CONNECTORS
Cable ASSEMBLIES

DRAWING BY CY

X.±

CHECKED BY GENIUS

.X±

UNIT / mm

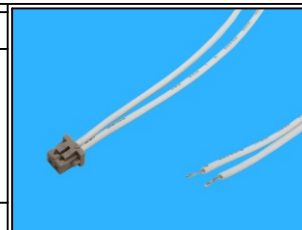
SCALE 1:1

.XX±

DATE

.XXX±

ANG±



ORDER INFORMATION

DF13X1-020028-F10C-LF

SERIES

02 WAY

28 AWG

100mm

FEMALE

LEADFREE

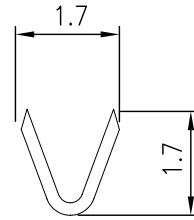
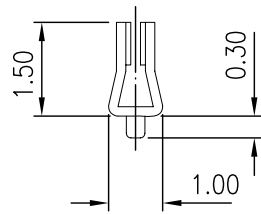
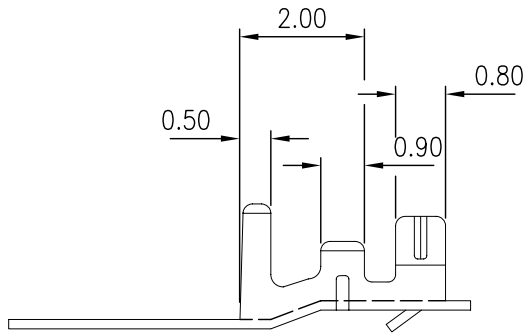
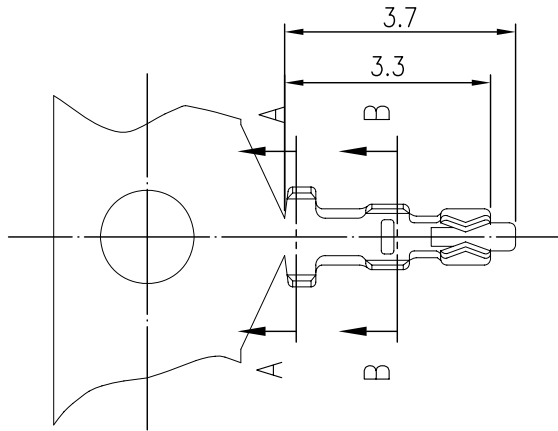
煜倫股份有限公司

www.morethanall.com

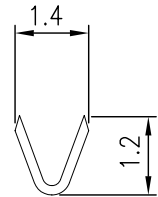
SIZE A4

PPOJECTION

DESCRIPTION:



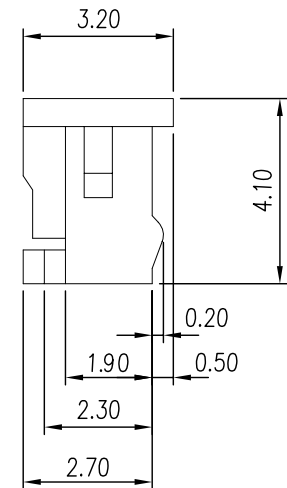
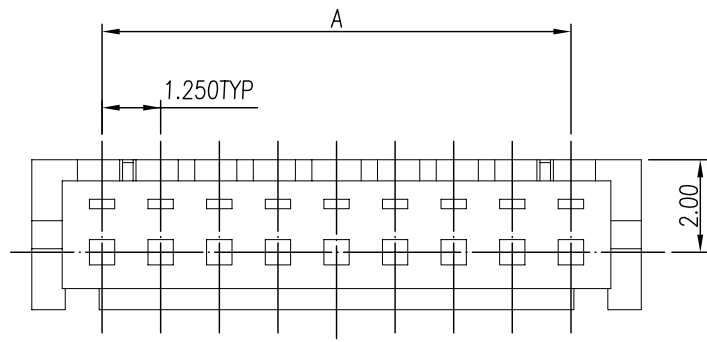
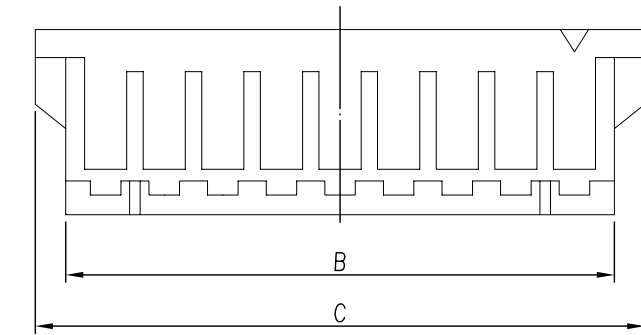
A-A SECTION



B-B SECTION

■ **TERMINAL**

- Material: Phos. bronze
- Thickness: 0.15mm
- Plating: Tin plated 60u", Gold
- Wire Range: Suitable for AWG#28~32
- Insulation O.D: 1.00mm (max)
- Q'TY: 10,000 pcs/roll



■ **HOUSING**

- Material: Nylon 66, UL94V-0
- Pitch: 1.25mm (.049")
- Poles: 2~15

CIRCUITS	PART NO.	DIMENSION		
		A	B	C
2		1.25	3.05	4.15
3		2.50	4.30	5.40
4		3.75	5.55	6.65
5		5.00	6.80	7.90
6		6.25	8.05	9.15
7		7.50	9.30	10.40
8		8.75	10.55	11.65
9		10.00	11.80	12.90
10		11.25	13.05	14.15
11		12.50	14.30	15.40
12		13.75	15.55	16.65
13		15.00	16.80	17.90
14		16.25	18.05	19.15
15		17.50	19.30	20.40