

符合"IPC/WHMA-A-620"規範

成品100%做導通測試

測試條件:

1. 絕緣阻抗: $3M\Omega$ MIN.
2. 導通阻抗: 0.5Ω MAX.
3. 高壓測試: 250V/DC 0.1S

Weight: 0.00970kg

MoHS Compliant

MORETHANALL
CONNECTORS
ASSEMBLIES

PART NO. DF13FIR-B2051-A70C

DWG NO. DF13FIR-B2051-A70C

CHECKED BY CY

TOLERANCES ARE

FILE NO.

DRAWING BY

.X ± 0.2
.XX ±
.XXX ±
AWG

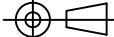
DESCRIPTION:

煜倫股份有限公司

UNIT / mm

SCALE 1:1

PROJECTION



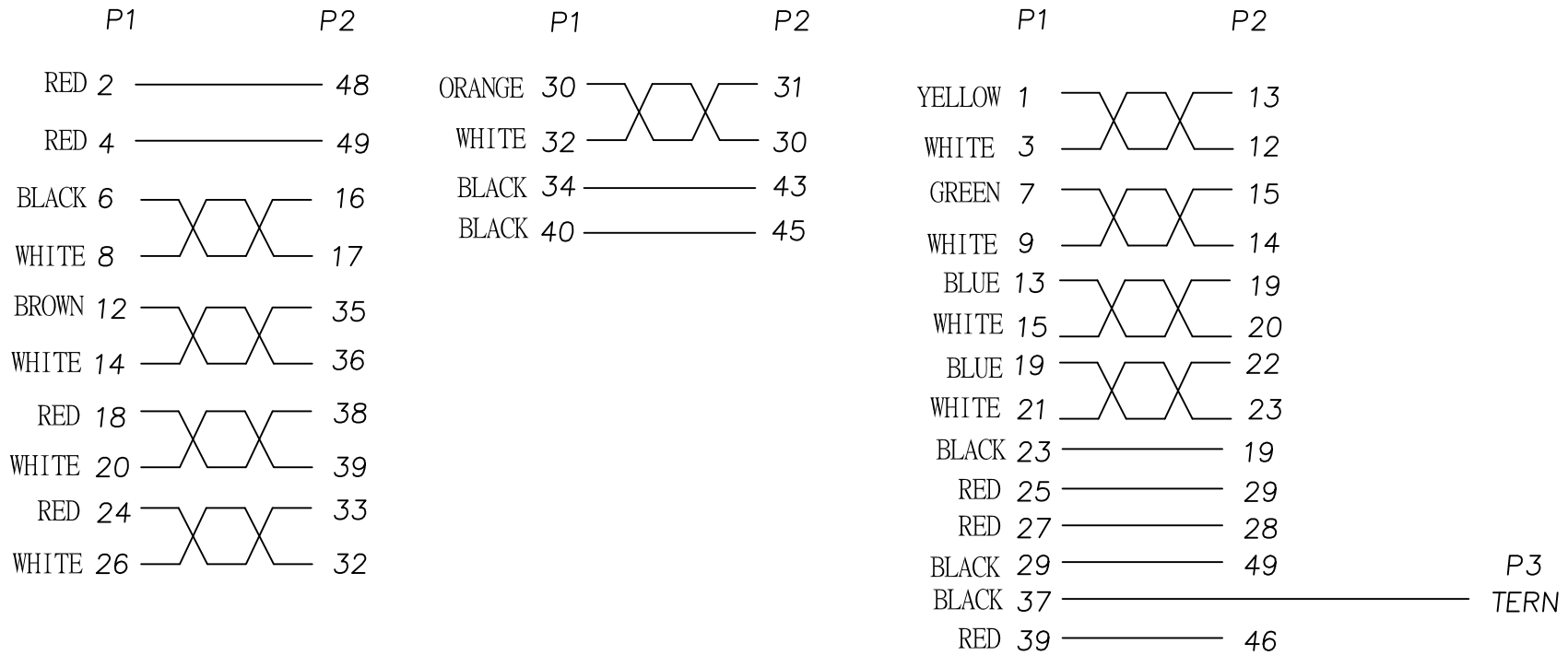
AREA

REVISIONS

HK

DATE

配線表



7	TERMINAL		PH-T-24	1
6	醋酸胶布		20寬	3
5	TERMINAL		DF-13	28
4	HOUSING		DF-13-2*20P	1
3	TERMINAL		FIRE-51N-TOP	28
2	HOUSING		FIRE-51N	1
1	WIRE		UL/1571#28 OD:0.6mm	28
ITEM	NAME	PART NO.	SPEC	Q`TY

MORETHANALL
CONNECTORS
ASSEMBLIES

焯倫股份有限公司

PART NO. DF13FIR-B2051-A70C

DWG NO. DF13FIR-B2051-A70C

FILE NO.

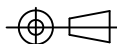
UNIT / mm

SCALE 1:1

CHECKED BY CY

DRAWING BY

PROJECTION



TOLERANCES ARE

.X ± 0.2

.XX ±

.XXX ±

AWG

DESCRIPTION:

AREA

REVISIONS

HK

DATE