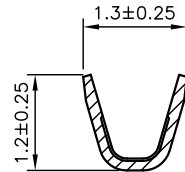
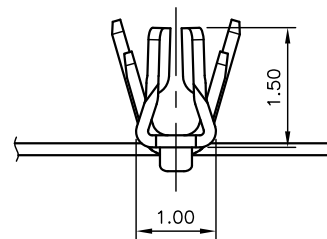
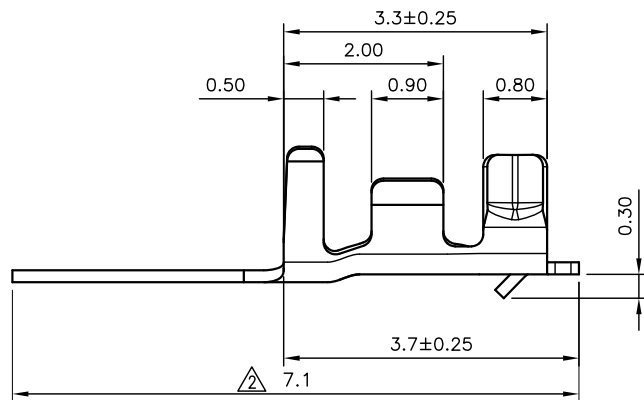


A-A SECTION
(INSULATION BARREL)

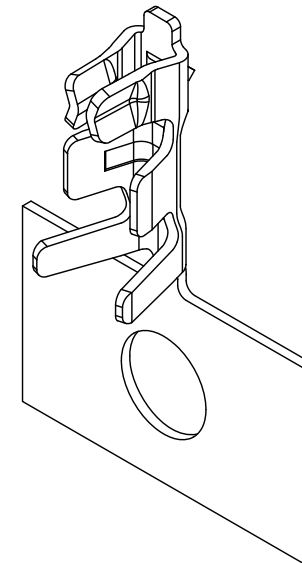


B-B SECTION
(WIRE BARREL)



■ **TERMINAL**

- Material : Phosphor bronze
- Thickness : 0.15mm
- Plating : Tin plated 60μ"
- Wire Range : Suitable for AWG#28~32
- Insulation O.D : 1.00mm (max)
- Q'TY : 10,000pcs/reel



RoHS Compliant

TOLERANCES ARE

MORETHANALL
PCB CONNECTORS
Cable ASSEMBLIES

DRAWING BY CY

X. ± 0.30

CHECKED BY GENIUS

.X ± 0.30

UNIT / mm

SCALE 1 : 1

.XX ± 0.15

.XXX ± 0.08

DATE

ANG ± 2°

SIZE A4

PJECTION

照片框

ORDER INFORMATION

DF13-T-28-LF
SERIES | LEADFREE
28-32 AWG
TERMINAL

煜倫股份有限公司

www.morethanall.com

DESCRIPTION: