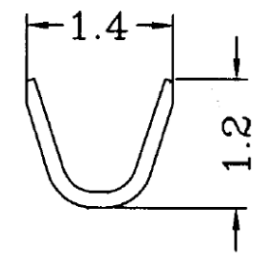
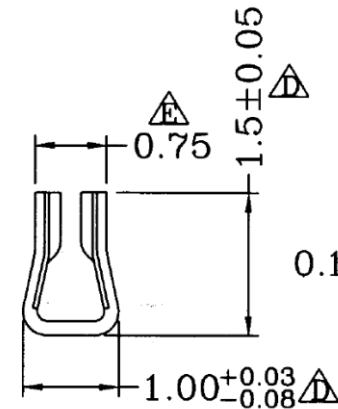


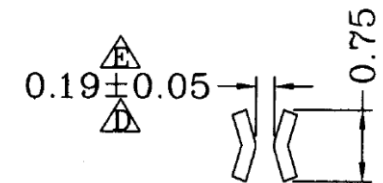
Section A-A



Section B-B



Section C-C



Section D-D

Specification & Ordering Information:

Part No	Wire Range	Insulation O.D.	Material	Finish	Qty/reel
DF13-T-26	AWG #26~#30	1.0mm(max)	Phosphor bronze	Tin-plated	20,000 pcs

RoHS Compliant

TOLERANCES ARE

MORETHANALL
PCB CONNECTORS
Cable ASSEMBLIES

DRAWING BY CY

CHECKED BY GENIUS

UNIT / mm

SCALE 1:1

DATE

SIZE A4

PJECTION

X, ±
.X ± 0.25
.XX ± 0.15
.XXX ± 0.08
ANG ±

照片框

ORDER INFORMATION

DF13-T-26-LF
SERIES | LEADFREE
26~30AWG
TERMINAL

煜倫股份有限公司

www.morethanall.com

DESCRIPTION: