

PCB LAYOUT

**Contact Dimension

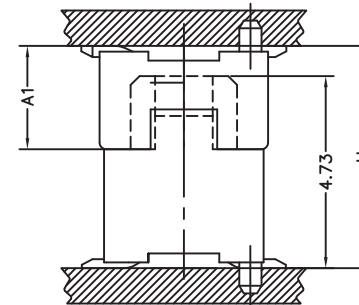
Contact	DIM. A	DIM. B	DIM. C	DIM. D
14	5.60	3.00	5.10	4.10
20	7.10	4.50	6.60	5.60
30	9.60	7.00	9.10	8.10
32	10.10	7.50	9.60	8.60
36	11.10	8.50	10.60	9.60
40	12.10	9.50	11.60	10.60
50	14.60	12.00	14.10	13.10
60	17.10	14.50	16.60	15.60

Specifications

1. Current Rating : 0.5A AC/DC
2. Voltage Rating : 50V AC/DC
3. Contact Resistance : 30m ohm. max.
4. Insulation Resistance : 100M ohm. min.at 100V DC
5. Withstanding Voltage : 100V AC for one minute
6. Operating Temperature Range : -20°C to +105°C

Material and Plating

1. Housing : LCP (Natural Color)UL94V-0
2. Contact : Phosphor Bronze
3. Plating : 3u" Gold Flash



Mating Draw (Ref)

RoHS Compliant

TOLERANCES ARE

MORETHANALL
PCB CONNECTORS
Cable ASSEMBLIES

DRAWING BY CY

X.±

CHECKED BY GENIUS

.X±

UNIT / mm

SCALE 1 : 1

.XX±

DATE

.XXX±

ANG±

SIZE A4

PPOJECTION

照片框

ORDER INFORMATION

DF12-S32P-xxx-LF

SERIES | | LEADFREE
014-060 WAY
POST
3.2m HIGH
FEMALE

煜倫股份有限公司

www.morethanall.com

DESCRIPTION:0.5mm Board To Board Female 4.7mm Height Without Metal Tab