

PCB LAYOUT

**Contact Dimension

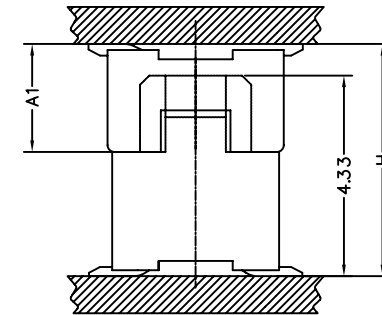
Contact	DIM. A	DIM. B	DIM. C	DIM. D
14	5.60	3.00	5.10	4.10
20	7.10	4.50	6.60	5.60
30	9.60	7.00	9.10	8.10
32	10.10	7.50	9.60	8.60
36	11.10	8.50	10.60	9.60
40	12.10	9.50	11.60	10.60
50	14.60	12.00	14.10	13.10
60	17.10	14.50	16.60	15.60

Specifications

1. Current Rating : 0.5A AC/DC
2. Voltage Rating : 50V AC/DC
3. Contact Resistance : 30m ohm. max.
4. Insulation Resistance : 100M ohm. min.at 100V DC
5. Withstanding Voltage : 100V AC for one minute
6. Operating Temperature Range : -20°C to +105°C

Material and Plating

- 1.Housing : LCP (Natural Color)UL94V-0
- 2.Contact : Phosphor Bronze
- 3.Plating : 3u" Gold Flash



Mating Draw (Ref)

**Mating Dimension

P/N(Male)	P/N(Female)	Male Height Dim A1	Mating Height Dim H
DF12-P23X-xxx	DF12-S27X-xxx	2.33	5.00
DF12-P28X-xxx	DF12-S27X-xxx	2.83	5.50

RoHS Compliant

RoHS Compliant



煜倫股份有限公司

www.morethanall.com

DRAWING BY CY
 CHECKED BY GENIUS
 UNIT / mm SCALE 1 : 1
 DATE
 SIZE A4 PPROJECTION

TOLERANCES ARE

X. ±
 .X ± 0.20
 .XX ± 0.15
 .XXX ±
 ANG ±

照片框

ORDER INFORMATION

DF12-S27X-xxx-LF
 SERIES LEADFREE
 014-060 WAY
 NON POST
 2.7mm HIGH
 FEMALE

DESCRIPTION:0.5mm Board To Board Female 4.2mm Height Without Metal Tab