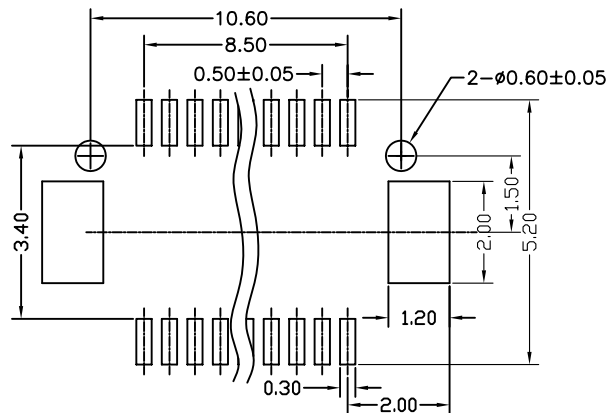


Specifications

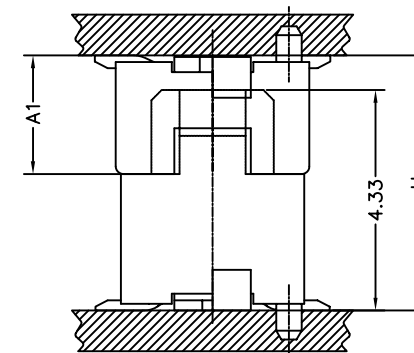
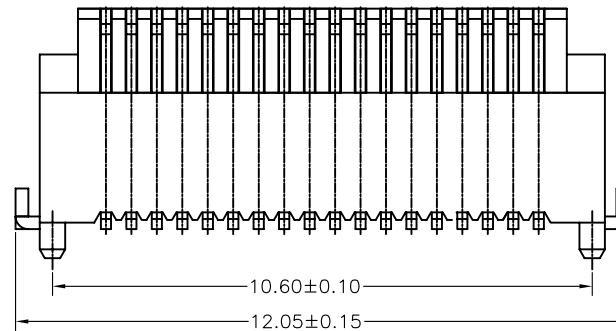
1. Current Rating : 0.5A AC/DC
2. Voltage Rating : 50V AC/DC
3. Contact Resistance : 30m ohm. max.
4. Insulation Resistance : 100M ohm. min.at 100V DC
5. Withstanding Voltage : 100V AC for one minute
6. Operating Temperature Range : -20to +105°C

Material and Plating

- 1.Housing : LCP (Natural Color)UL94V-0
  - 2.Contact : Phosphor Bronze
  - 3.Plating : 3u" Gold Flash
- Number Of Connctors:800pcs/Reel



PCB LAYOUT



Mating Draw (Ref)

\*\*Mating Dimension

P/N(Male)	P/N(Female)	Male Height Dim A1	Mating Height Dim H
DF12-P23A-036	DF12-S27A-036	2.33	5.00
DF12-P28A-036	DF12-S27A-036	2.83	5.50

RoHS Compliant

TOLERANCES ARE

**MORETHANALL**  
PCB CONNECTORS  
Cable ASSEMBLIES

煜倫股份有限公司

www.morethanall.com

DRAWING BY CY

CHECKED BY GENIUS

UNIT / mm

SCALE 1 : 1

DATE

SIZE A4

X. ±  
.X ± 0.20  
.XX ± 0.15  
.XXX ±  
ANG ±

PJECTION

照片框

ORDER INFORMATION

DF12-S27A-036-LF

SERIES | LEADFREE  
| 036 WAY  
| POST+EAR  
| 2.7mm HIGH  
FEMALE

DESCRIPTION:0.5mm Board To Board Female 4.2mm Height With Metal Tab