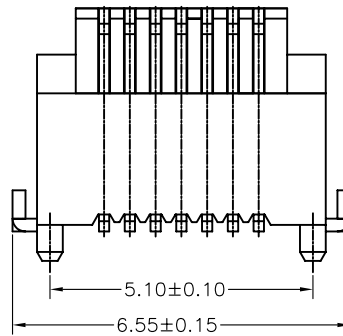


PCB LAYOUT

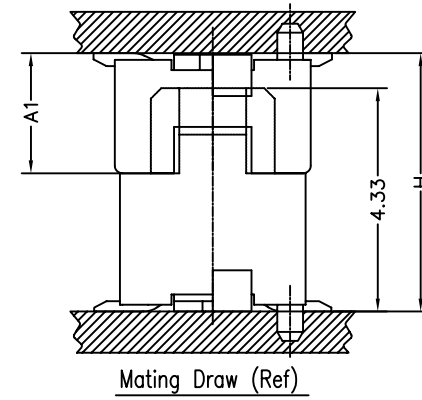


Specifications

1. Current Rating : 0.5A AC/DC
2. Voltage Rating : 50V AC/DC
3. Contact Resistance : 30m ohm. max.
4. Insulation Resistance : 100M ohm. min.at 100V DC
5. Withstanding Voltage : 100V AC for one minute
6. Operating Temperature Range : $\varnothing 20$ to $+105^{\circ}\text{C}$

Material and Plating

- 1.Housing : LCP (Natural Color)UL94V-0
 - 2.Contact : Phosphor Bronze
 - 3.Plating : 3u" Gold Flash
- Number of Connectors:800pcs/Reel



**Mating Dimension

P/N(Male)	P/N(Female)	Male Height Dim A1	Mating Height Dim H
DF12-P23A-014	DF12-S27A-014	2.33	5.00
DF12-P28A-014	DF12-S27A-014	2.83	5.50

RoHS Compliant

TOLERANCES ARE



煜倫股份有限公司

www.morethanall.com

DRAWING BY CY

CHECKED BY GENIUS

UNIT / mm

SCALE 1 : 1

DATE

SIZE A4

X. ± 0.30

.X ± 0.30

.XX ± 0.20

.XXX ± 0.10

ANG $\pm 1^{\circ}$

PJECTION

照片框

ORDER INFORMATION

DF12-S27A-014-LF

SERIES LEADFREE
014 WAY
POST+EAR
2.7mm HIGH
FEMALE

DESCRIPTION: 0.5mm Board To Board Female 4.2mm Height With Metal Tab