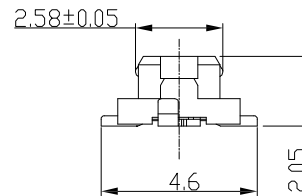
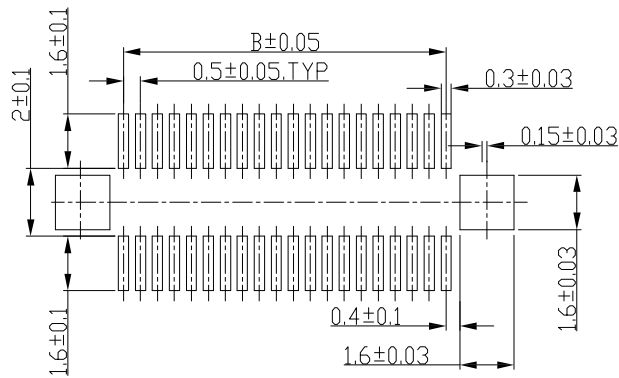


NOTES:

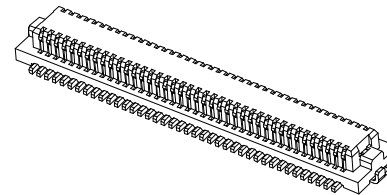
- 1. MATERIAL:
HOUSING: LCP, UL 94-V0, COLOR:BLACK
CONTACT: COPPER ALLOY
LEG: COPPER ALLOY
- 2. PLATING:
CONTACT: GOLD PLATED ON NICKEL OVERALL
LEG: TIN PLATED ON NICKEL OVERALL



	A	B	C
10 PIN	4.60	2.00	3.10
12 PIN	5.10	2.50	3.60
14 PIN	5.60	3.00	4.10
20 PIN	7.10	4.50	5.60
22 PIN	7.60	5.00	6.10
24 PIN	8.10	5.50	6.60
30 PIN	9.60	7.00	8.10
32 PIN	10.10	7.50	8.60
36 PIN	11.10	8.50	9.60
40 PIN	12.10	9.50	10.60
50 PIN	14.60	12.00	13.10
60 PIN	17.10	14.50	15.60
80 PIN	22.10	19.50	20.60



Recommended PCB Layout



RoHS Compliant

TOLERANCES ARE

MORETHANALL
PCB CONNECTORS
Cable ASSEMBLIES

DRAWING BY CY

X. ±

CHECKED BY GENIUS

.X ± 0.25

UNIT / mm

SCALE 1 : 1

.XX ± 0.20

DATE

.XXX ±

ANG ± 3°

SIZE A4

PPOJECTION

照片框

ORDER INFORMATION

DF12-S07ER-xxx-LF

SERIES

LEADFREE

010-080 WAY

REEL

EAR

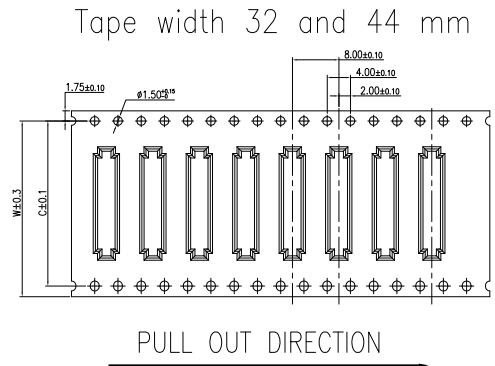
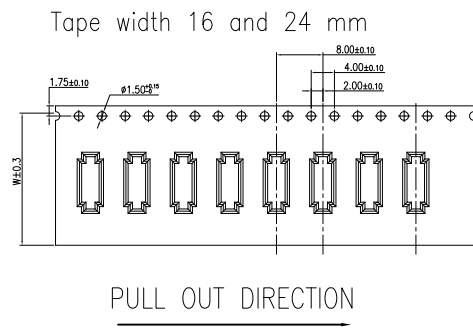
0.7mm HIGH

FEMALE

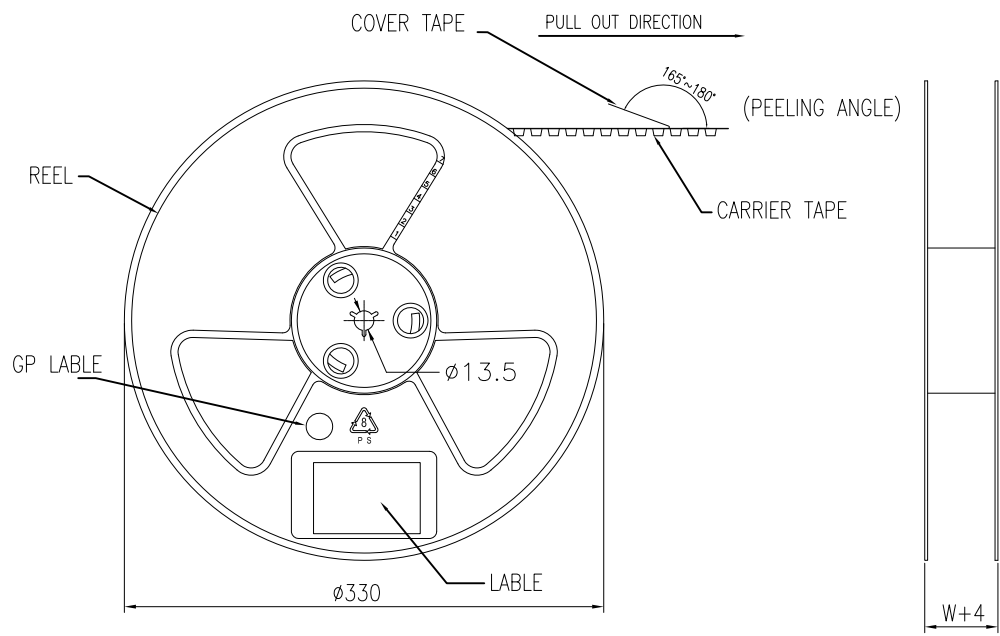
煜倫股份有限公司

www.morethanall.com

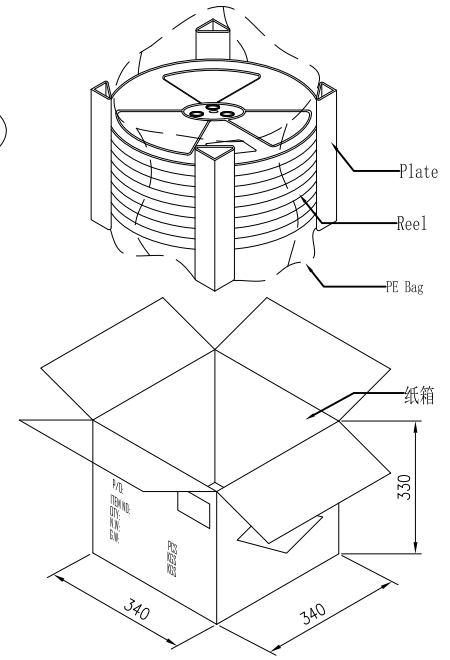
DESCRIPTION: 0.5Ph Board to Board SMT Vertical 2.05H



- NOTE:
- 1.10 Sprocket hole pitch cumulative tolerance ± 0.20 .
 2. Carrier camber is within 1mm in 100mm.
 3. Material: black conductive polystyrene alloy.
 4. Material Thickness: 0.3 ± 0.05 mm.
 5. All dimensions meet EIA-481-B requirements.
 6. For tape width(dim W)16 and 24mm pilot holes are provided on one sides.
For tape width(dim W)32, 44 and 56mm pilot holes are provided on both sides.



RoHS Compliant



PIN NO.	W	C	PCS /REEL	REEL/CARTON	SUM(PCS)
10PIN~20PIN	16	-	2500	15	37500
30PIN~50PIN	24	-	2500	10	25000
60Pin~80PIN	32	28.4	2500	8	20000

RoHS Compliant

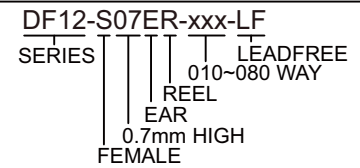
TOLERANCES ARE

MORETHANALL
PCB CONNECTORS
Cable ASSEMBLIES
煜倫股份有限公司
www.morethanall.com

DRAWING BY CY		X. ± .X ± 0.25 .XX ± 0.20 .XXX ± ANG ± 3°
CHECKED BY GENIUS		
UNIT / mm	SCALE 1 : 1	
DATE		
SIZE A4	PJECTION	



ORDER INFORMATION



DESCRIPTION: 0.5Ph Board to Board SMT Vertical 2.05H Reel Packaging