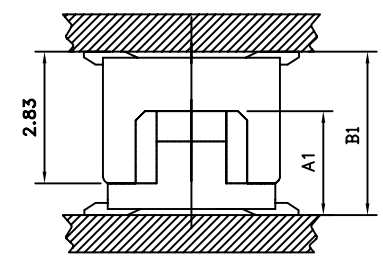


Specifications

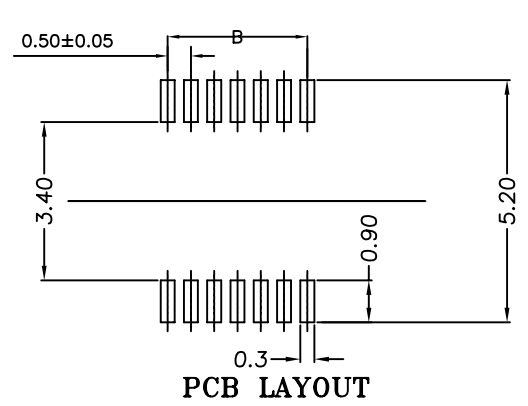
1. Current Rating : 0.5A AC/DC
2. Voltage Rating : 50V AC/DC
3. Contact Resistance : 30m ohm. max.
4. Insulation Resistance : 100M ohm. min.at 100V DC
5. Withstanding Voltage : 100V AC for one minute
6. Operating Temperature Range : -20°C to +105°C

Material and Plating

1. Housing : LCP (Natural Color)UL94V-0
2. Contact : Phosphor Bronz
3. Plating : 3u" Gold Flash



Mating Draw (Ref)



**Contact Dimension

Contact	DIM. A	DIM. B	DIM. C	DIM. D
14	5.60	3.00	5.10	4.20
20	7.10	4.50	6.60	5.70
30	9.60	7.00	9.10	8.20
32	10.10	7.50	9.60	8.70
36	11.10	8.50	10.60	9.70
40	12.10	9.50	11.60	10.70
50	14.60	12.00	14.10	13.20
60	17.10	14.50	16.60	15.70

**Mating Dimension

P/N(Male)	P/N(Female)	Female Height Dim A1	Mating Height Dim B1
DF12-P28X-xxx	DF12-S07X-xxx	2.23	3.50
DF12-P28X-xxx	DF12-S12X-xxx	2.73	4.00
PF12-P28X-xxx	DF12-S27X-xxx	4.23	5.50
DF12-P28X-xxx	DF12-S32X-xxx	4.73	6.00

DF12-P28X-xxx-LF
LEADFREE

RoHS Compliant



PART NO. DF12-P28X-xxx

DWG NO. DF12-P28X-xxx

APPROVED BY CY

TOLERANCES ARE

FILE NO.

DRAWING BY

.X ± 0.2
.XX ± 0.15
.XXX
AWG

UNIT / mm

SCALE 1:1

PROJECTION

DESCRIPTION:

0.5mm Board To Board Male
2.7mm Height Without Metal Tab

煜倫股份有限公司

AREA

REVISIONS

HK

DATE