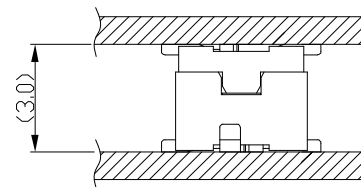


Recommended PCB Layout



NOTES:

1. MATERIAL:

HOUSING: LCP, UL 94-V0, COLOR:BLACK  
 CONTACT: COPPER ALLOY  
 LEG: COPPER ALLOY

2. PLATING:

CONTACT: GOLD PLATED ON NICKEL OVERALL  
 LEG: TIN PLATED ON NICKEL OVERALL

	A	B	C
10 PIN	4.70	2.00	3.20
12 PIN	5.20	2.50	3.70
14 PIN	5.70	3.00	4.20
20 PIN	7.20	4.50	5.70
22 PIN	7.70	5.00	6.20
24 PIN	8.20	5.50	6.70
30 PIN	9.70	7.00	8.20
32 PIN	10.20	7.50	8.70
36 PIN	11.20	8.50	9.70
40 PIN	12.20	9.50	10.70
50 PIN	14.70	12.00	13.20
60 PIN	17.20	14.50	15.70
80 PIN	22.20	19.50	20.70

**MORETHANALL**  
 PCB CONNECTORS  
 Cable ASSEMBLIES

煜倫股份有限公司

www.morethanall.com

RoHS Compliant

DRAWING BY CY

CHECKED BY GENIUS

UNIT / mm

SCALE 1 : 1

DATE

SIZE A4

TOLERANCES ARE

X ±  
 .X ± 0.25  
 .XX ± 0.20  
 .XXX ±  
 ANG ± 3°

PJECTION

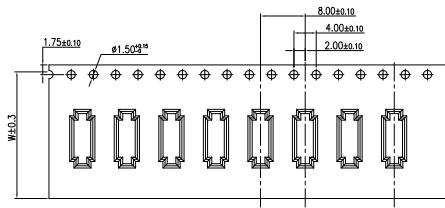
照片框

ORDER INFORMATION

DF12-P23ER-xxx-LF  
 SERIES REEL EAR 2.3mm HIGH MALE  
 LEADFREE 010-080 WAY

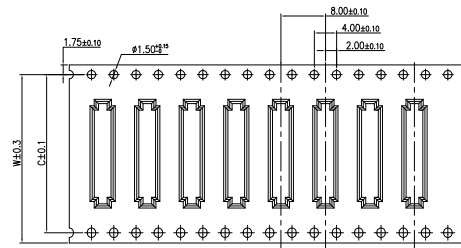
DESCRIPTION: 0.5Ph Board to Board SMT Vertical 2.1H

Tape width 16 and 24 mm

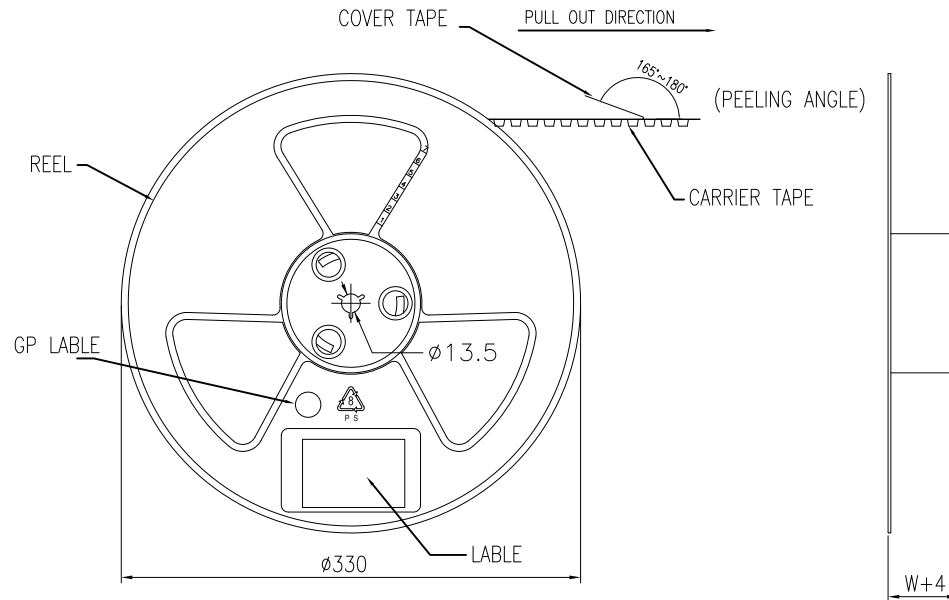


PULL OUT DIRECTION

Tape width 32 and 44 mm



PULL OUT DIRECTION

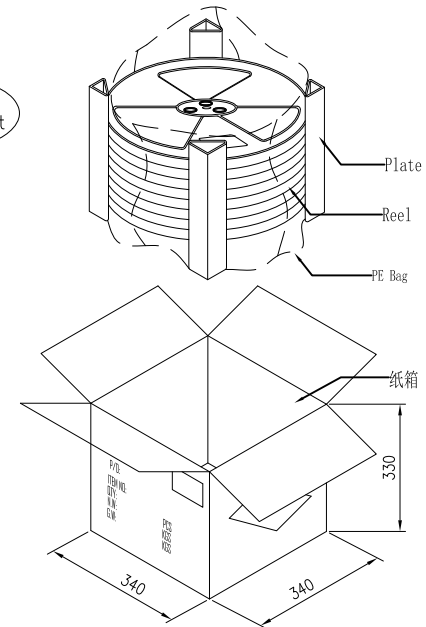


PIN NO.	W	C	PCS /REEL	REEL/CARTON	SUM(PCS)
10PIN~20PIN	16	-	2500	15	37500
30PIN~50PIN	24	-	2500	10	25000
60Pin~80PIN	32	28.4	2500	8	20000

NOTE:

- 1.10 Sprocket hole pitch cumulative tolerance  $\pm 0.20$ .
2. Carrier camber is within 1mm in 100mm.
3. Material: black conductive polystyrene alloy.
4. Material Thickness:  $0.3 \pm 0.05$ mm.
5. All dimensions meet EIA-481-B requirements.
6. For tape width(dim W)16 and 24mm pilot holes are provided on one side.  
For tape width(dim W)32, 44 and 56mm pilot holes are provided on both sides.

RoHS  
Compliant



RoHS Compliant

TOLERANCES ARE

**MORETHANALL**  
PCB CONNECTORS  
Cable ASSEMBLIES

DRAWING BY CY

CHECKED BY GENIUS

UNIT / mm

SCALE 1 : 1

DATE

SIZE A4

X,  $\pm$   
.X  $\pm 0.25$   
.XX  $\pm 0.20$   
.XXX  $\pm$   
ANG  $\pm 3^\circ$

P PROJECTION

照片框

ORDER INFORMATION

DF12-P23ER-xxx-LF

SERIES REEL LEADFREE  
010~080 WAY  
EAR  
2.3mm HIGH  
MALE

煜倫股份有限公司

www.morethanall.com

DESCRIPTION: 0.5Ph Board to Board SMT Vertical 2.1H Reel Packaging