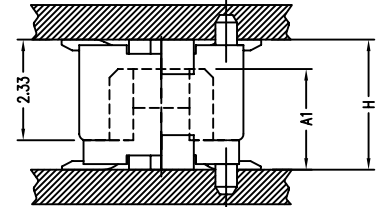
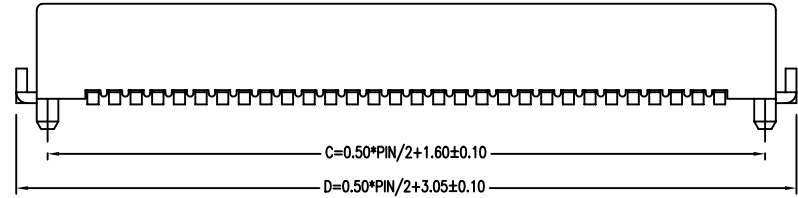
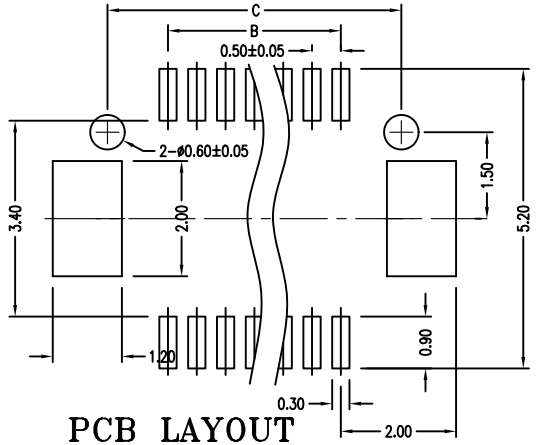


Specifications

1. Current Rating : 0.5A AC/DC
2. Voltage Rating : 50V AC/DC
3. Contact Resistance : 30m ohm. max.
4. Insulation Resistance : 100M ohm. min.at 100V DC
5. Withstanding Voltage : 100V AC for one minute
6. Operating Temperature Range :  $^{\circ}\text{C}20$ to  $+105^{\circ}\text{C}$

Material and Plating

- 1.Housing : LCP (Natural Color)UL94V-0
  - 2.Contact : Phosphor Bronze
  - 3.Plating : 3u" Gold Flash
- Number Of Connectors:1500pcs/Reel



\*\*Mating Dimension

P/N(Male)	P/N(Female)	Male Height Dim A1	Mating Height Dim H
DF12-P23A-xxx	DF12-S07A-xxx	2.33	3.00
DF12-P23A-xxx	DF12-S27A-xxx	4.33	5.00

\*\*Contact Dimension

Contact	DIM. A	DIM. B	DIM. C	DIM. D	DIM. E
10	4.60	2.00	4.10	5.55	3.20
14	5.60	3.00	5.10	6.55	4.20
18	6.60	4.00	6.10	7.55	5.20
20	7.10	4.50	6.60	8.05	5.70
22	7.60	5.00	7.10	8.55	6.20
30	9.60	7.00	9.10	10.55	5.20
32	10.10	7.50	9.60	11.05	8.70
36	11.10	8.50	10.60	12.05	9.70
40	12.10	9.50	11.60	13.05	10.70
50	14.60	12.00	14.10	15.55	13.20
60	17.10	14.50	16.60	18.05	15.70

**MORETHANALL**  
CONNECTORS  
ASSEMBLIES

**煜倫有限公司**

PART NO. DF12-P23A-xxx

DWG NO. DF12-P23A-xxx

FILE NO.

UNIT / mm

SCALE 1:1

APPROVED BY CY

DRAWING BY

PROJECTION

TOLERANCES ARE

.X ± 0.20  
.XX ± 0.15  
.XXX  
AWG

DESCRIPTION:

0.5mm Board To Board Male  
2.2mm High With Metal Tab

AREA	REVISIONS	HK	DATE
------	-----------	----	------