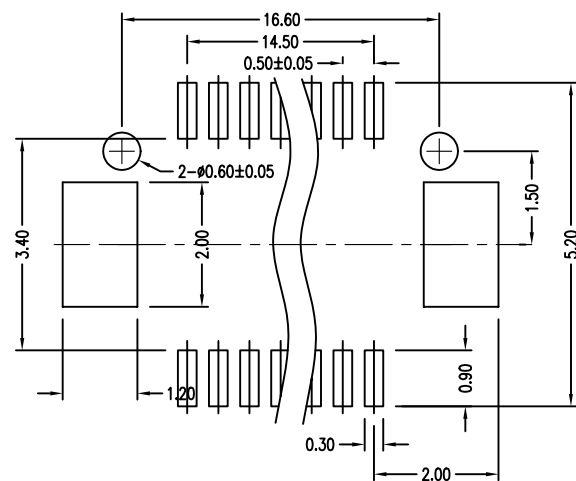


Specifications

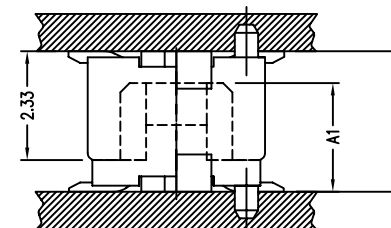
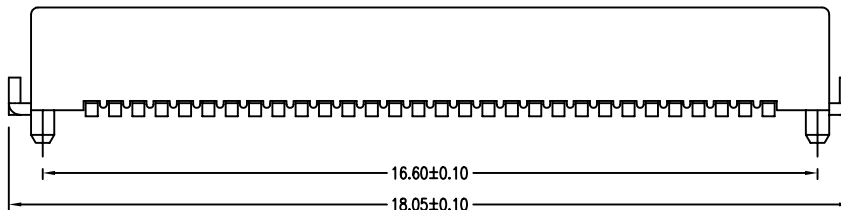
1. Current Rating : 0.5A AC/DC
2. Voltage Rating : 50V AC/DC
3. Contact Resistance : 30m ohm. max.
4. Insulation Resistance : 100M ohm. min.at 100V DC
5. Withstanding Voltage : 100V AC for one minute
6. Operating Temperature Range :  $^{\circ}\text{C}20$ to  $+105^{\circ}\text{C}$

Material and Plating

- 1.Housing : LCP (Natural Color)UL94V-0
  - 2.Contact : Phosphor Bronze
  - 3.Plating : 3u" Gold Flash
- Number of Connectors:1500pcs/Reel



PCB LAYOUT



Mating Draw (Ref)

\*\*Mating Dimension

P/N(Male)	P/N(Female)	Male Height Dim A1	Mating Height Dim H
DF12-P23A-060	DF12-S07A-060	2.33	3.00
DF12-P23A-060	DF12-S27A-060	4.33	5.00

**MORETHANALL**  
CONNECTORS  
ASSEMBLIES

煜倫有限公司

PART NO. DF12-P23A-060

DWG NO. DF12-P23A-060

FILE NO.

UNIT / mm

SCALE 1:1

APPROVED BY CY

DRAWING BY

PROJECTION

TOLERANCES ARE

.X ± 0.20

.XX ± 0.15

.XXX  
AWG

DESCRIPTION:

0.5mm Board To Board Male  
2.2mm High With Metal Tab

AREA

REVISIONS

HK

DATE