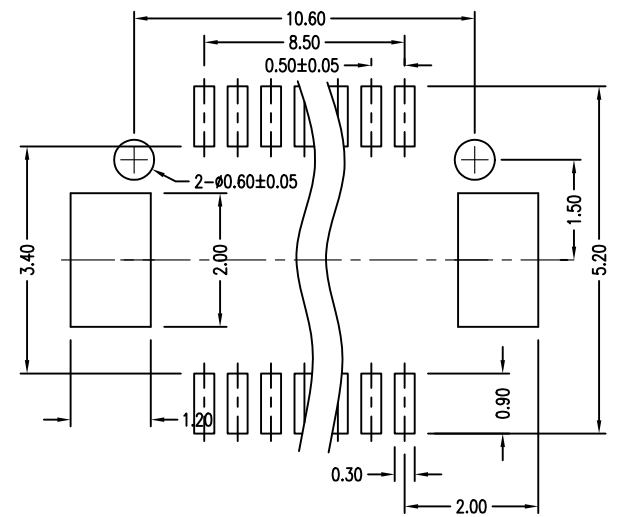


Specifications

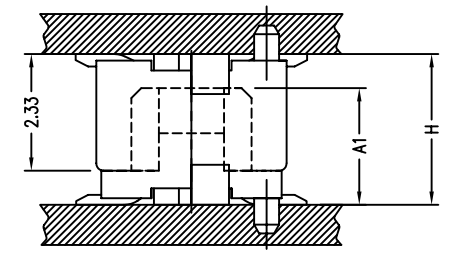
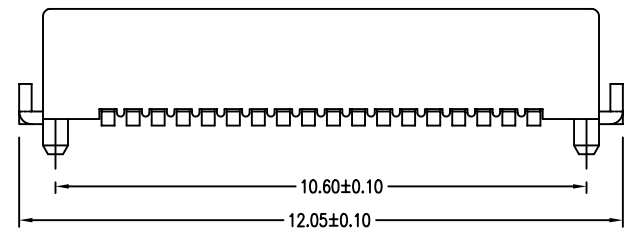
1. Current Rating : 0.5A AC/DC
2. Voltage Rating : 50V AC/DC
3. Contact Resistance : 30m ohm, max.
4. Insulation Resistance : 100M ohm, min.at 100V DC
5. Withstanding Voltage : 100V AC for one minute
6. Operating Temperature Range :  $\varnothing 20$  to  $+105^{\circ}\text{C}$

Material and Plating

1. Housing : LCP (Natural Color) UL94V-0
  2. Contact : Phosphor Bronze
  3. Plating : 3u" Gold Flash
- Number of Connectors: 1500pcs/Reel



PCB LAYOUT



Mating Draw (Ref)

\*\*Mating Dimension

P/N(Male)	P/N(Female)	Male Height Dim A1	Mating Height Dim H
DF12-P23A-036	DF12-S07A-036	2.33	3.00
DF12-P23A-036	DF12-S27A-036	4.33	5.00



PART NO. DF12-P23A-036

DWG NO. DF12-P23A-036

APPROVED BY CY

FILE NO.

DRAWING BY

TOLERANCES ARE  
 .X ± 0.20  
 .XX ± 0.15  
 .XXX  
 AWG

DESCRIPTION:	0.5mm Board To Board Male 2.2mm High With Metal Tab		
	AREA	REVISIONS	HK DATE

煜倫有限公司

UNIT / mm

SCALE 1:1

PROJECTION