

■ TERMINAL

Material: Phos. bronze

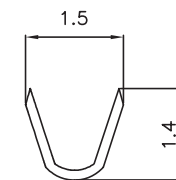
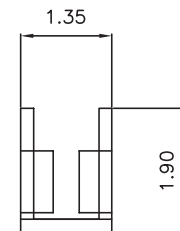
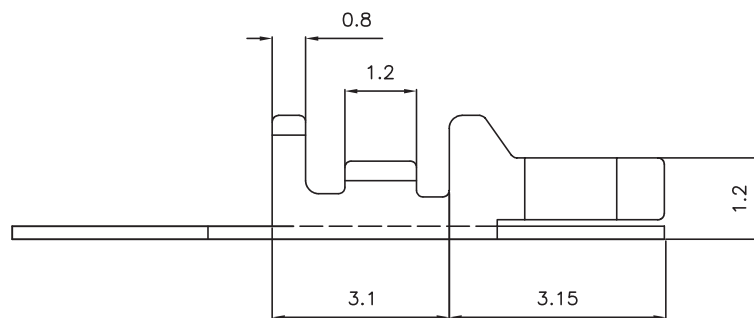
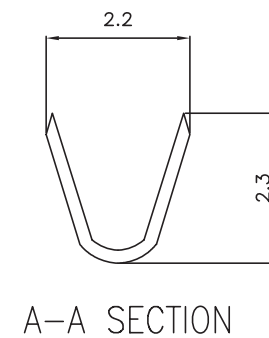
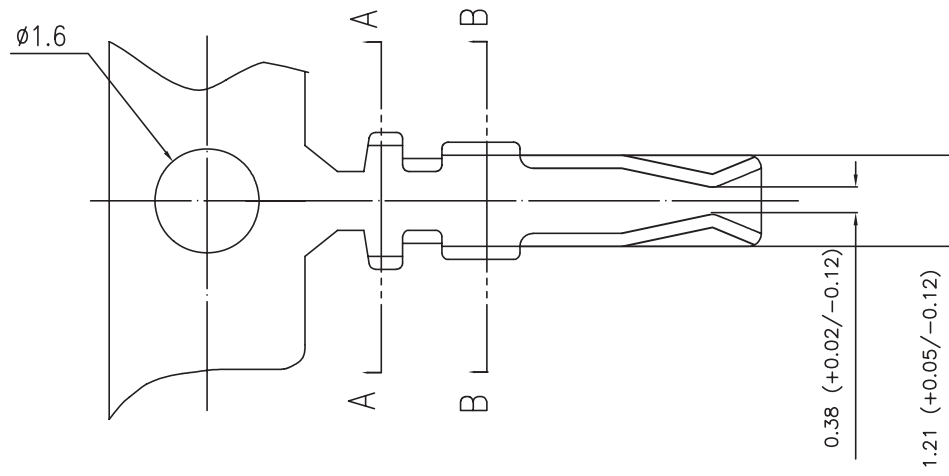
Thickness: 0.2mm

Plating: Tin Plated 60u”

Wire Range: Suitable for AWG#26~30

Insulation O.D: 1.40mm(max)

Q'TY: 10,000 pcs/reel



RoHS Compliant

TOLERANCES ARE

MORETHANALL
PCB CONNECTORS
Cable ASSEMBLIES

DRAWING BY CY

CHECKED BY GENIUS

UNIT / mm

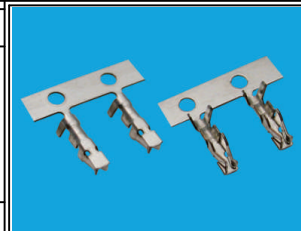
SCALE 1:1

DATE

SIZE A4

PPOJECTION

X. ±
.X ±
.XX ±
.XXX ±
ANG ±



ORDER INFORMATION



DESCRIPTION:

煜倫股份有限公司

www.morethanall.com