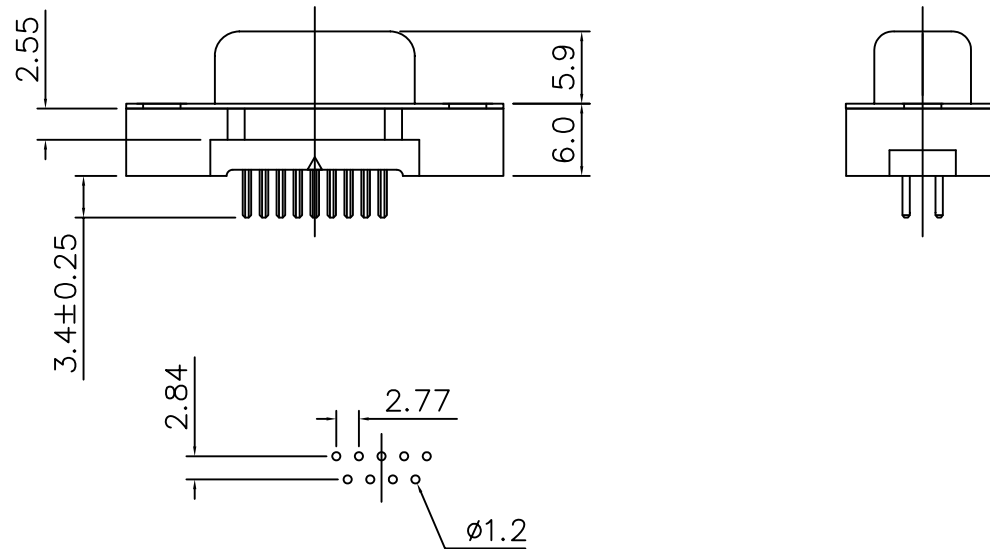
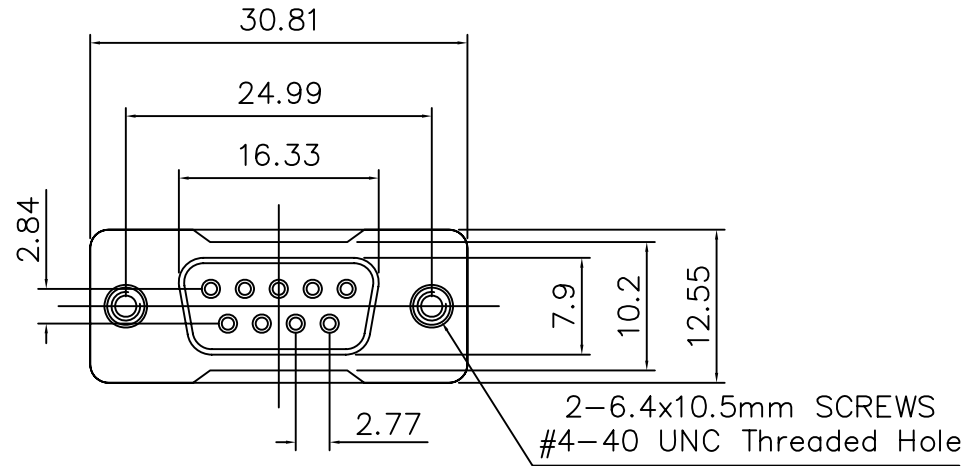


### Specifications

Contact Resistance: 30mΩ max. at DC 100mA  
 Insulator Resistance: 1000MΩ min. at DC 500V  
 Current Rating: 5 AMP  
 Dielectric Withstanding  
 Voltage: AC 1000V For 1 minute  
 Operating Temperature: -55°C ~ +105°C  
 Contact: Brass  
 Housing: PBT & 30% Glass Fiber (UL 94V-0)



Recomended PCB Layout

RoHS Compliant

TOLERANCES ARE

**MORETHANALL**  
 PCB CONNECTORS  
 Cable ASSEMBLIES

煜倫股份有限公司

www.morethanall.com

DRAWING BY CY

CHECKED BY GENIUS

UNIT / mm

SCALE 1:1

DATE

SIZE A4

PPOJECTION

X.±  
 .X±  
 .XX±  
 .XXX±  
 ANG±

照片框

ORDER INFORMATION

DDM-SN-09-LF  
 SERIES | LEADFREE  
 | 09WAY  
 | NUT  
 | FEMALE

DESCRIPTION: D-SUB DIP STRAIGHT TYPE