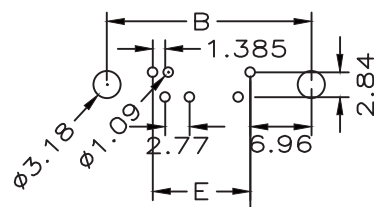
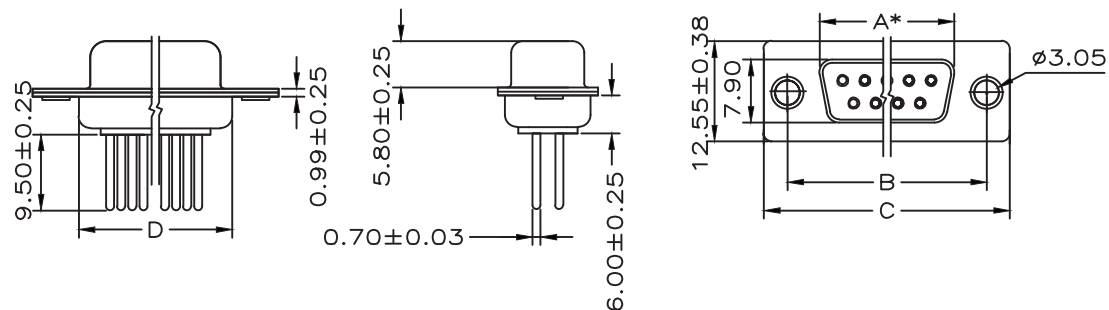


Table 1 Material	
Contact	Brass
Metal Shell	Steel/Dimples on Plug only
Insulator	UL94V-0 Thermoplastic 30% glass filled

Table 2 Finish	
Contact	Gold-flashed
Metal Shell	Tin or nickel plated

Table 3 Electrical Data	
Signal Contact	5 Amp
Operating Temperature	-55°C - +125°C
Insulator Resistance	Minimum 5000 MΩ
Contact Resistance	Maximum 10mΩ
Dielectric w/standing Volt	1000 V AC per min

Table 4 Dimension						
No. of Contact		A* ±0.25 ±.010	B ±0.13 ±.005	C ±0.38 ±.015	D ±0.25 ±.010	E ±0.25 ±.010
09		16.33 .643	24.99 .984	30.81 1.213	19.28 .759	11.08 .436
15		24.66 .971	33.32 1.312	39.14 1.541	27.51 1.083	19.39 .763
25		38.38 1.511	47.04 1.852	53.04 2.088	41.28 1.625	33.24 1.310
37		54.84 2.159	63.50 2.500	69.32 2.729	57.71 2.272	49.86 1.963



P.C.B. LAYOUT

RoHS Compliant

TOLERANCES ARE

MORETHANALL
PCB CONNECTORS
Cable ASSEMBLIES

DRAWING BY CY

CHECKED BY GENIUS

UNIT / mm SCALE 1:1

DATE

SIZE A4

X, ±
.X ± 0.30
.XX ±
.XXX ±
ANG ± 2°

P PROJECTION

照片框

ORDER INFORMATION

DDL-S095-xx-LF
SERIES | LEADFREE
09-37 WAY
DIP 9.5mm
FEMALE

DESCRIPTION:

煜倫股份有限公司

www.morethanall.com