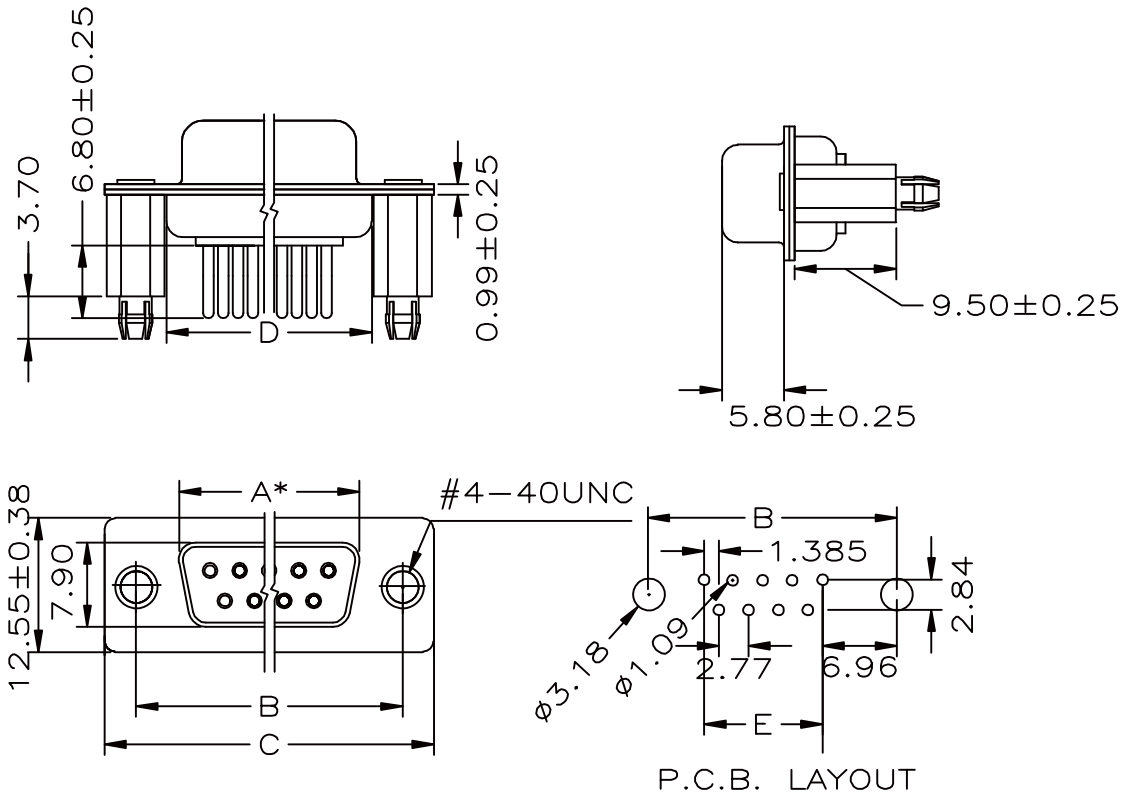


Table 1 Material	
Contact	Brass
Metal Shell	Steel/Dimples on Plug only
Insulator	UL94V-0 Thermoplastic 30% glass filled
Metal Bracket	Steel
Boardlock	Brass
Screw	Brass

Table 2 Finish	
Contact	Gold-flashed
Metal Shell	Tin or nickel plated
Screw	Nickel plated
Metal Bracket	Nickel plated
Boardlock	Nickel plated

Table 3 Electrical Data	
Operating Temperature	-55°C - +125°C
Insulator Resistance	Minimum 5000 MΩ
Contact Resistance	Maximum 10mΩ
Dielectric w/standing Volt	1000 V AC per min

Table 4 Dimension					
No. of Contact	A* ±0.25 ±.010	B ±0.13 ±.005	C ±0.38 ±.015	D ±0.25 ±.010	E ±0.25 ±.010
09	16.33 .643	24.99 .984	30.81 1.213	19.28 .759	11.08 .436
15	24.66 .971	33.32 1.312	39.14 1.541	27.51 1.083	19.39 .763
25	38.38 1.511	47.04 1.852	53.04 2.088	41.28 1.625	33.24 1.310
37	54.84 2.159	63.50 2.500	69.32 2.729	57.71 2.272	49.86 1.963



RoHS Compliant

TOLERANCES ARE

**MORETHANALL**  
PCB CONNECTORS  
Cable ASSEMBLIES

煜倫股份有限公司

www.morethanall.com

DRAWING BY CY

CHECKED BY GENIUS

UNIT / mm SCALE 1:1

DATE

SIZE A4

X. ±  
.X ±  
.XX ±  
.XXX ±  
ANG ±

PJECTION

照片框

ORDER INFORMATION

DDL-S068GZ-xx-LF  
SERIES | LEADFREE  
09-37 WAY  
CLIP  
GOLD  
DIP 6.8mm  
FEMALE

DESCRIPTION: