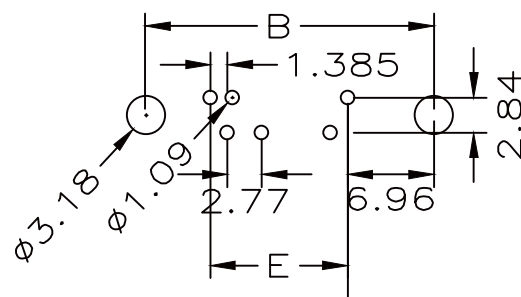
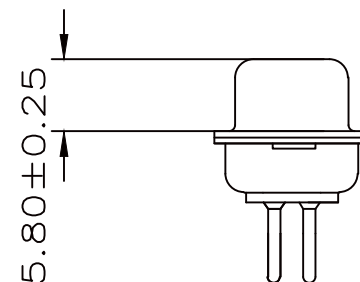
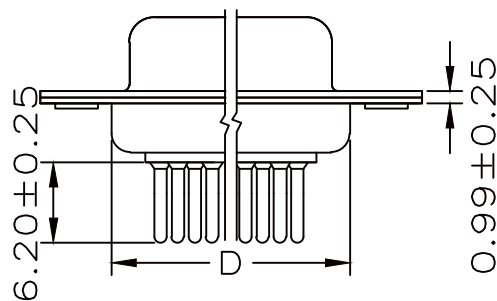
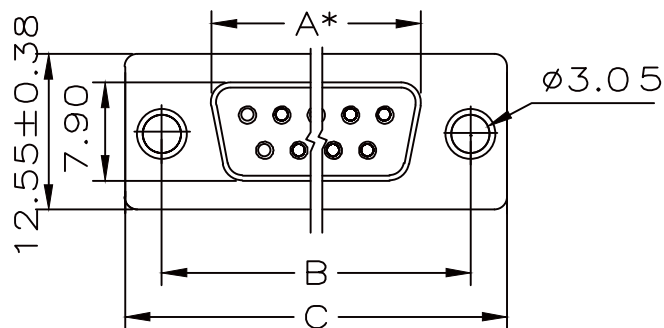


Table 1 Material	
Contact	Brass
Metal Shell	Steel/Dimples on Plug only
Insulator	UL94V-0 Thermoplastic 30% glass filled

Table 2 Finish	
Contact	Gold-flashed
Metal Shell	Tin or nickel plated

Table 3 Electrical Data	
Signal Contact	5 Amp
Operating Temperature	-55°C - +125°C
Insulator Resistance	Minimum 5000 MΩ
Contact Resistance	Maximum 10mΩ
Dielectric w/standing Volt	1000 V AC per min

Table 4 Dimension						
No. of Contact	A ±0.25 ±.010	A* ±0.25 ±.010	B ±0.13 ±.005	C ±0.38 ±.015	D ±0.25 ±.010	E ±0.25 ±.010
09	16.92 .666	16.33 .643	24.99 .984	30.81 1.213	19.28 .759	11.08 .436
15	25.25 .994	24.66 .971	33.32 1.312	39.14 1.541	27.51 1.083	19.39 .763
25	38.96 1.534	38.38 1.511	47.04 1.852	53.04 2.088	41.28 1.625	33.24 1.310
37	55.42 2.182	54.84 2.159	63.50 2.500	69.32 2.729	57.71 2.272	49.86 1.963



P.C.B. LAYOUT

RoHS Compliant

TOLERANCES ARE

MORETHANALL
PCB CONNECTORS
Cable ASSEMBLIES

DRAWING BY CY

X, ±

CHECKED BY GENIUS

.X ±

UNIT / mm

SCALE 1:1

.XX ±

DATE

.XXX ±

ANG ±

SIZE A4

P PROJECTION

照片框

ORDER INFORMATION

DDL-S062-xx-LF
SERIES | LEADFREE
09-37 WAY
DIP 6.2mm
FEMALE

煜倫股份有限公司

www.morethanall.com

DESCRIPTION: