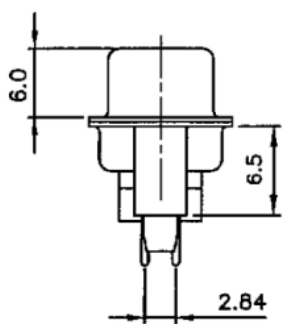
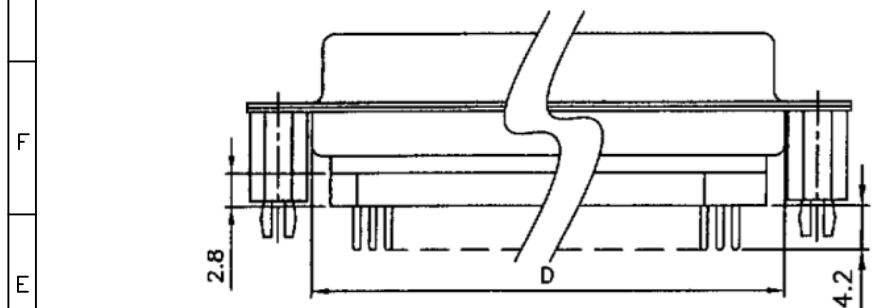
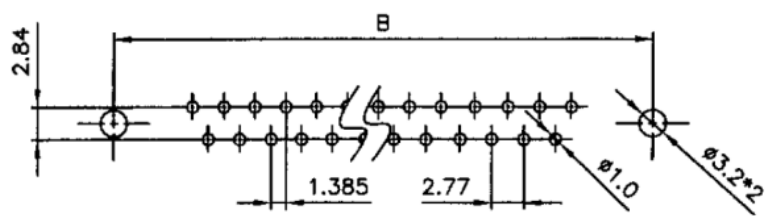


**SPECIFICATION**  
**MATERIAL**  
 Insulator: PBT, Rated UL94V-0  
 Contacts: Brass  
 Shell: Steel  
 Rivet, Boardlock: Copper Alloy  
**CONTACT PLATING**  
 Underplate: 50μ" Nickel  
 Contact Area: 1μ"~30μ" Selective Gold  
**ELECTRICAL**  
 Operation Voltage: 250 VAC Max.  
 Current Rating: 3 Amps Max.  
 Contact Resistance: 15 mohms Max.  
 Insulation Resistance: 3000 Mohms Min @ 500 VDC  
 Dielectric Withstanding Voltage: 1000 VAC / Minute  
 Operating Temperature: -55°C To +105°C  
**CONTACT PLATING:** Gold Flash  
**INSULATOR:** Black



POSITION	A	B	C	D
9	16.30	25.00	30.8	19.2
15	24.60	33.30	39.2	27.7
19	30.00	38.86	44.8	32.8
23	35.30	44.30	50.3	38.3
25	38.30	47.10	53.1	41.1
37	54.80	63.50	69.4	57.3



RECOMMENDED P.C.B. LAYOUT(TOP VIEW)  
 TOLERANCES:±0.05mm

DDF-SGZH-xx-LF  
 LEADFREE  
 09-37WAY  
 RoHS Compliant



煜倫股份有限公司

PART NO. DDF-SGZH-xx		CHECKED BY CY	TOLERANCES ARE X. ± 0.5 .X ± 0.3 .XX ± 0.2 .XXX ± ANG	DESCRIPTION: D USB FEMALE DIP E.M.I. Filter
DWG NO. DDF-SGZH-xx				
FILE NO.		DRAWING BY	AREA	REVISIONS
UNIT / mm	SCALE 1:1	PROJECTION		