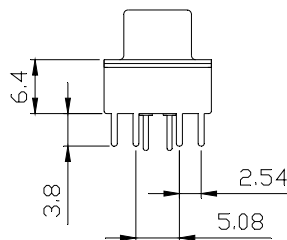
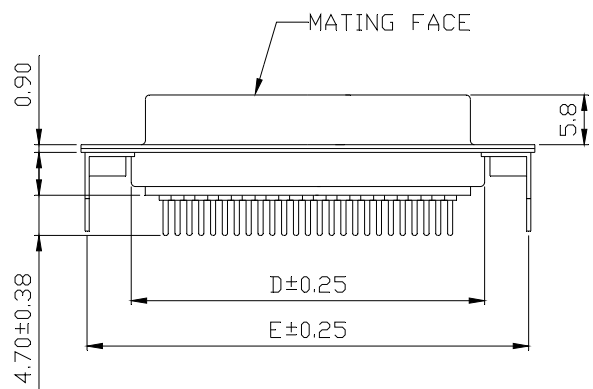
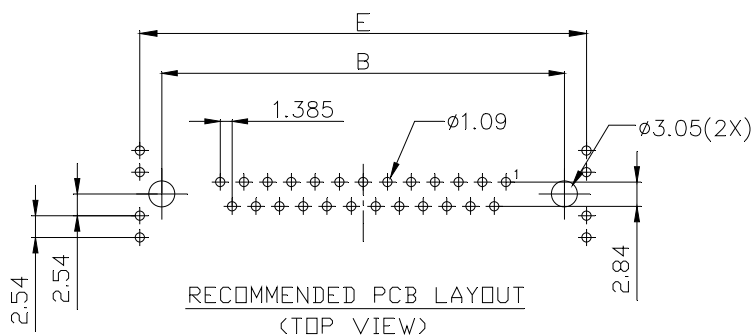


NOTES:
 1.MATERIAL:
 HOUSING:PBT 30% GLASS FILLED,UL94-V0
 COLOR:BLACK
 TERMINAL:0.20mm THICKNESS,PHOSPHOR BRONZE C5191H
 METAL SHELL:0.40mm THICKNESS,SPCC
 NUT & BOARD LOCK:BRASS
 2.PLATING:
 TERMINAL:
 CONTACT AREA:SELECTIVE GOLD(Au) PLATING
 SOLDER TAIL:TIN(Sn),THICKNESS=100 MICROINCH MINIMUM
 UNDER PLATE:NICKEL(Ni),THICKNESS=50 MICROINCH MIN./1.27 MICROMETER MIN.
 METAL SHELL:TIN(Sn),THICKNESS=100 MICROINCH MIN./2.54 MICROMETER MIN.
 UNDER PLATE:COPPER(Cu),THICKNESS=50 MICROINCH MIN./1.27 MICROMETER MIN.
 NUT:NICKEL(Ni),THICKNESS=50 MICROINCH MIN./1.27 MICROMETER MIN.
 BOARD LOCK:TIN(Sn),THICKNESS=50 MICROINCH MIN./1.27 MICROMETER MIN.
 3.RECOMMENDED PCB THICKNESS:1.60+/-0.05mm



NO. OF CONTACT	DIMENSIONS				
	A	B	C	D	E _△
DD-SSNM-09	16.33	24.99	30.81	19.18	30.70
DD-SSNM-15	24.66	33.32	39.14	27.51	38.90
DD-SSNM-25	38.38	47.04	53.04	41.00	52.72
DD-SSNM-37	54.84	63.50	69.32	57.71	69.40

DD-SSNM-xx-LF
 LEADFREE
 RoHS Compliant



MORETHANALL
 CONNECTORS
 ASSEMBLIES

煜倫股份有限公司

PART NO. DD-SSNM-xx		CHECKED BY CY	TOLERANCES ARE .X ± 0.2 .XX ± .XXX ± AWG	DESCRIP TION:			
DWG NO. DD-SSNM-xx							
FILE NO.		DRAWING BY	PROJECTION	AREA	REVISIONS	HK	DATE
UNIT / mm	SCALE 1:1						