

SPECIFICATION

MATERIAL

Insulator: Thermail Plastic UL94V-0

Contacts: Copper Alloy

Shell: Steel

Rivet, Boardlock: Copper Alloy

CONTACT PLATING

Underplate: 50u" Nickel

Contact Area: 1u"~30u" Selective Gold

Solder Tails Area: 100u" Tin/Lead(Brighten Tin) or

100u" Tin/Lead Free(Brighten Tin/Matte Tin)

ELECTRICAL

Operation Voltage: 250 VAC Max.

Current Rating: 3 Amps Max.

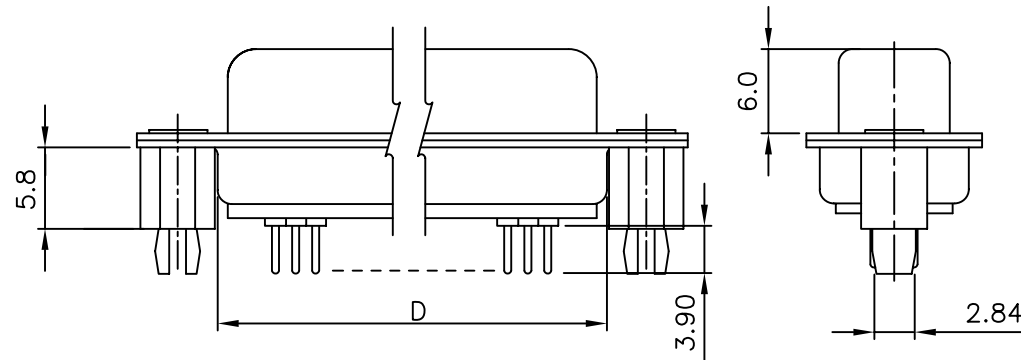
Contact Resistance: 15 mohms Max.

Insulation Resistance: 3000 Mohms Min. @ 500 VDC

Dielectric Withstanding Voltage: 1000 VAC / minute

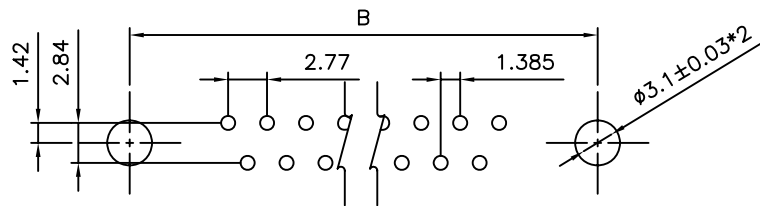
Operating Temperature: -55°C to +105°C

PART NO.



DD-S39SZ58M3-xx-LF
LEADFREE

RoHS Compliant



RECOMMENDED P.C.B LAYOUT (TOP VIEW)
TOLERANCES: $\pm 0.05\text{mm}$

POSITION	A	B	C	D
DD-S39SZ58M3-09	16.30	25.00	30.8	19.2
DD-S39SZ58M3-15	24.60	33.30	39.2	27.7
DD-S39SZ58M3-19	30.00	38.86	44.8	32.8
DD-S39SZ58M3-23	35.30	44.30	50.3	38.3
DD-S39SZ58M3-25	38.30	47.10	53.1	41.1
DD-S39SZ58M3-37	54.80	63.50	69.4	57.3

MORETHANALL
CONNECTORS
ASSEMBLIES

PART NO. DD-S39SZ58M3-xx

DWG NO. DD-S39SZ58M3-xx

FILE NO.

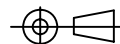
UNIT / mm

SCALE 1:1

CHECKED BY CY

DRAWING BY

PROJECTION



TOLERANCES ARE

.X ± 0.2

.XX \pm

.XXX \pm

AWG

DESCRIPTION: D-SUB PCB STRAIGHT

AREA

REVISIONS

HK

DATE

焯倫股份有限公司