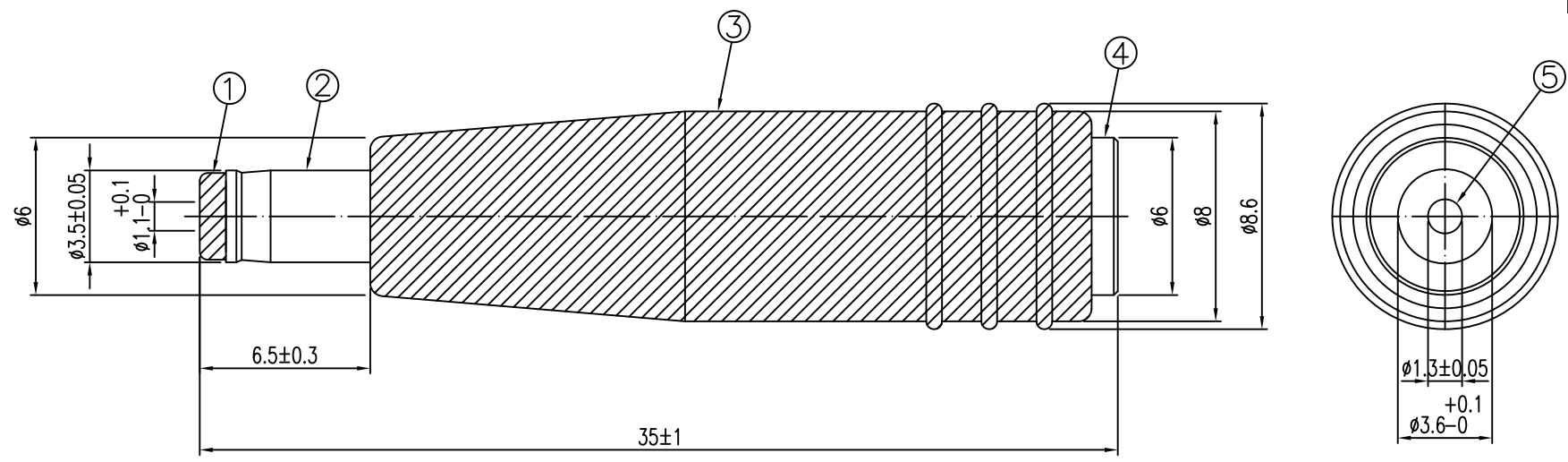


一般公差	
尺寸區分	公差
0>1.0	±0.1
1.0>6.0	±0.2
6.0>12.0	±0.3
12.0>25.0	±0.4
25.0>	±0.5



5	BRASS NICKEL
4	BRASS NICKEL
3	PC510 UL94V-0 BLACK
2	BRASS NICKEL
1	PBT BLACK
NO	CONTENT

RoHS Compliant

TOLERANCES ARE

**MORETHANALL**  
PCB CONNECTORS  
Cable ASSEMBLIES

DRAWING BY CY

X.±  
.X±  
.XX±  
.XXX±  
ANG±

CHECKED BY GENIUS

UNIT / mm SCALE 1:1

DATE

SIZE A4

PJECTION

煜倫股份有限公司

www.morethanall.com

照片框

ORDER INFORMATION

DCX2-EM-1013-LF  
SERIES | LEADFREE  
1.1mm TO 1.35mm  
MOLDING  
MALE TO FEMALE

DESCRIPTION: **INLINE ADAPTER DC PLUG 3.5\*1.1 TO DC JACK 3.5\*1.35**