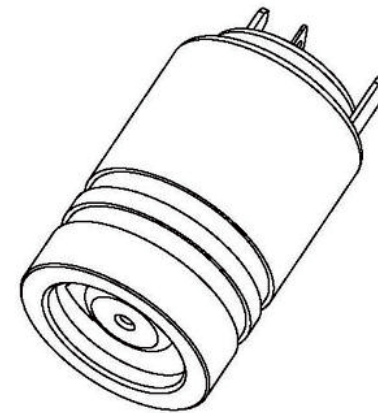
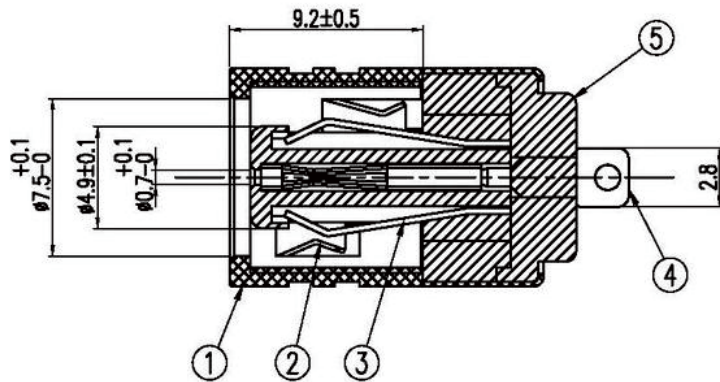


0.5-5M	M=±0.2
5-30M	M=±0.4
30-120M	M=±0.6
120-315M	M=±1.0
315-10000M	M=±1.6



5	PBT	BLACK
4	P-BRONZE	NICKEL
3	P-BRONZE	NICKEL
2	P-BRONZE	NICKEL
1	BRASS	NICKEL
NO	MATERIAL	PLATING

RoHS Compliant

TOLERANCES ARE

MORETHANALL
PCB CONNECTORS
Cable ASSEMBLIES

煜倫股份有限公司

www.morethanall.com

DRAWING BY CY	
CHECKED BY GENIUS	
UNIT / mm	SCALE 1 : 1
DATE	
SIZE A4	PJECTION

X. ±
.X ±
.XX ±
.XXX ±
ANG ±

照片框

ORDER INFORMATION

DCP-S-7006-LF
SERIES | LEADFREE
ID:0.6Ø
OD:7.0Ø
SOLDER

DESCRIPTION: