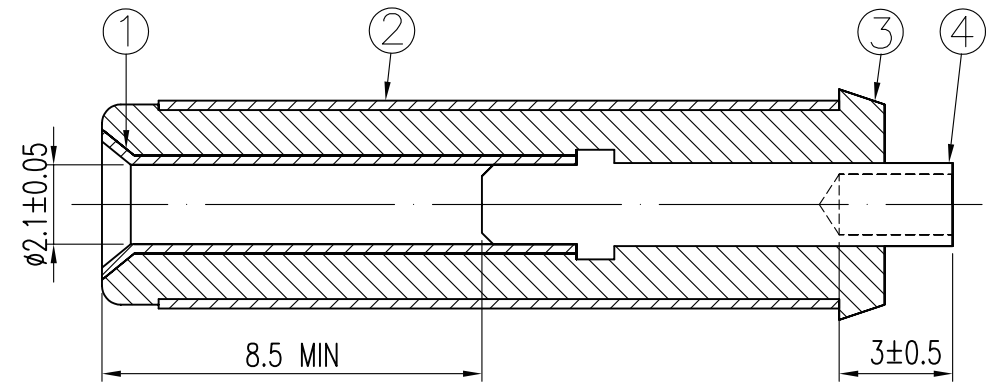
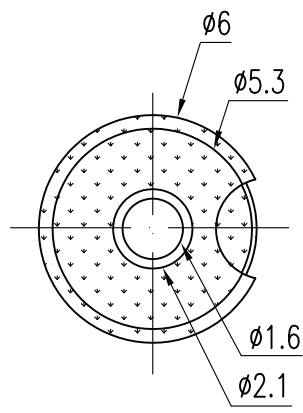
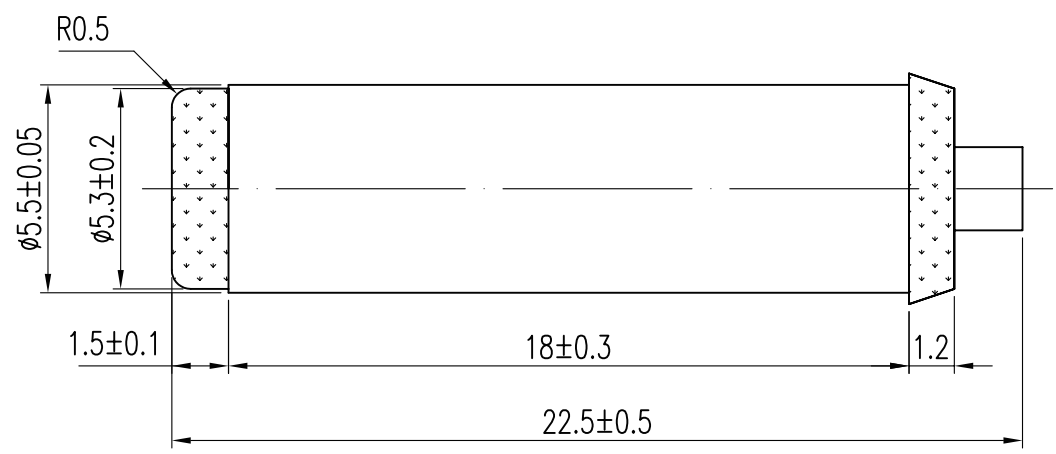


一般公差	
尺寸區分	公差
0>1.0	±0.1
1.0>6.0	±0.2
6.0>12.0	±0.3
12.0>25.0	±0.4
25.0>	±0.5



4	BRASS NICKEL
3	POM BLACK
2	BRASS NICKEL
1	BRASS NICKEL
NO	CONTENT

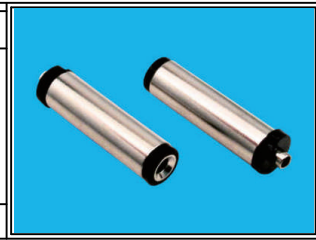
RoHS Compliant

TOLERANCES ARE

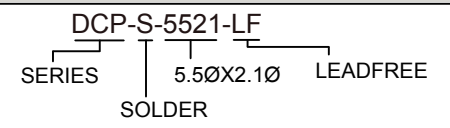
MORETHANALL
PCB CONNECTORS
Cable ASSEMBLIES

DRAWING BY CY
CHECKED BY GENIUS
UNIT/mm SCALE 1:1
DATE

X. ±
.X ±
.XX ±
.XXX ±
ANG ±



ORDER INFORMATION



煜倫股份有限公司

www.morethanall.com

SIZE A4 PROJECTION

DESCRIPTION: DC PLUG $\phi 5.5 \times \phi 2.1 \times 22.5L$