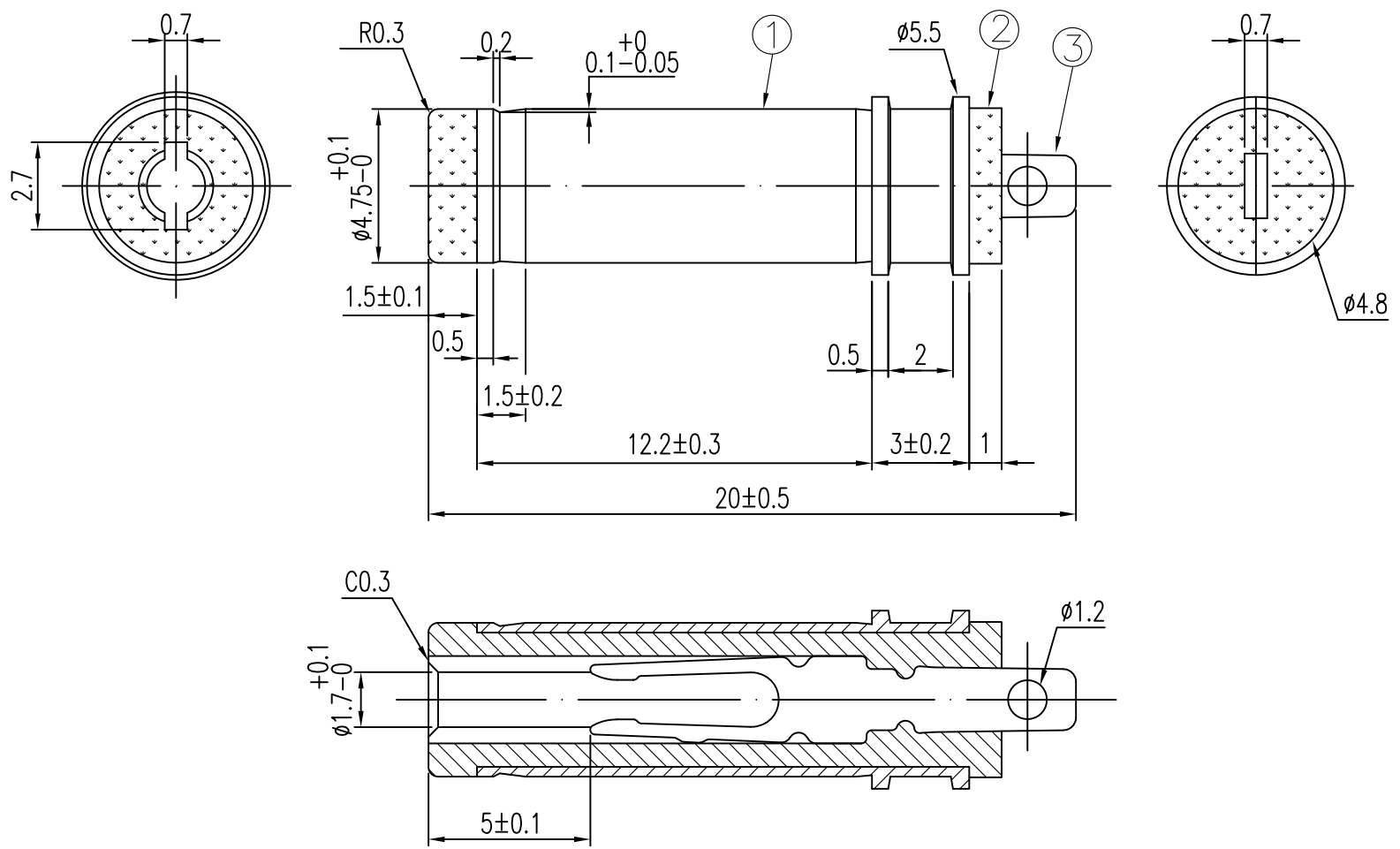


| 一般公差      |      |
|-----------|------|
| 尺寸區分      | 公差   |
| 0>1.0     | ±0.1 |
| 1.0>6.0   | ±0.2 |
| 6.0>12.0  | ±0.3 |
| 12.0>25.0 | ±0.4 |
| 25.0>     | ±0.5 |



|    |                 |
|----|-----------------|
| 4  |                 |
| 3  | P-BRONZE NICKEL |
| 2  | PBT BLACK       |
| 1  | BRASS NICKEL    |
| NO | CONTENT         |

RoHS Compliant

TOLERANCES ARE



DRAWING BY CY

CHECKED BY GENIUS

UNIT / mm SCALE 1 : 1

DATE

SIZE A4

X. ±  
.X ±  
.XX ±  
.XXX ±  
ANG ±

PJECTION

照片框

ORDER INFORMATION

DCP-S-47517-LF  
 SERIES | LEADFREE  
 ID: 1.7Ø  
 OD: 4.75Ø  
 SOLDER

煜倫股份有限公司

www.morethanall.com

DESCRIPTION: DC PLUG  $\phi 4.75 \times \phi 1.7 \times 20.0L$