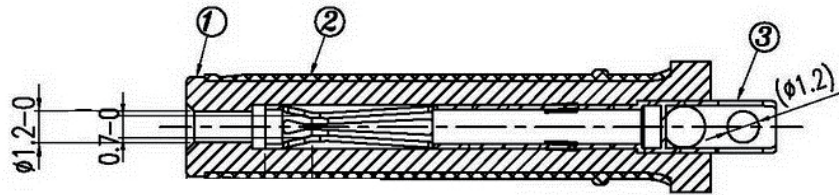
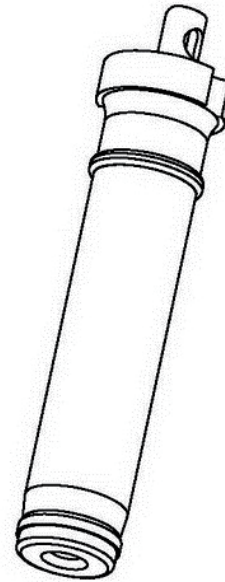
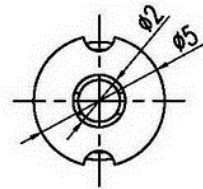
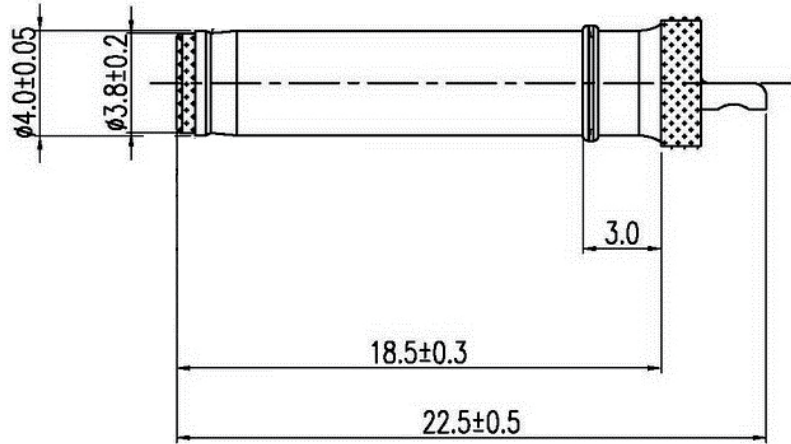


0.5-5M M=± 0.2  
 5-30M M=± 0.4  
 30-120M M=± 0.6  
 120-315M M=± 1.0  
 315-10000M M=± 1.6



NO	MATERIAL	PLATING	THICKNESS
3	P-BRONZE	NICKEL	2um Min
2	BRASS	NICKEL	2um Min
1	PBT+15%GF	BLACK	

RoHS Compliant

TOLERANCES ARE

**MORETHANALL**  
 PCB CONNECTORS  
 Cable ASSEMBLIES

煜倫股份有限公司

www.morethanall.com

DRAWING BY CY  
 CHECKED BY GENIUS  
 UNIT / mm SCALE 1 : 1  
 DATE  
 SIZE A4 PPROJECTION

X. ±  
 .X ±  
 .XX ±  
 .XXX ±  
 ANG ±

照片框

ORDER INFORMATION

DCP-S-4011-LF  
 SERIES LEADFREE  
 4.0ØX1.1Ø  
 SOLDER

DESCRIPTION: