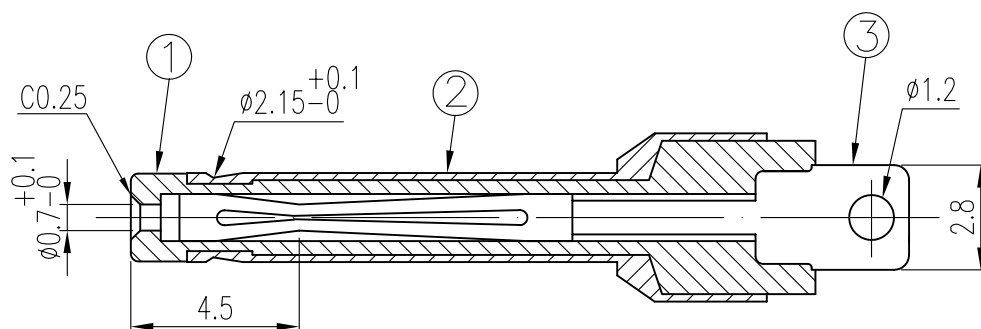
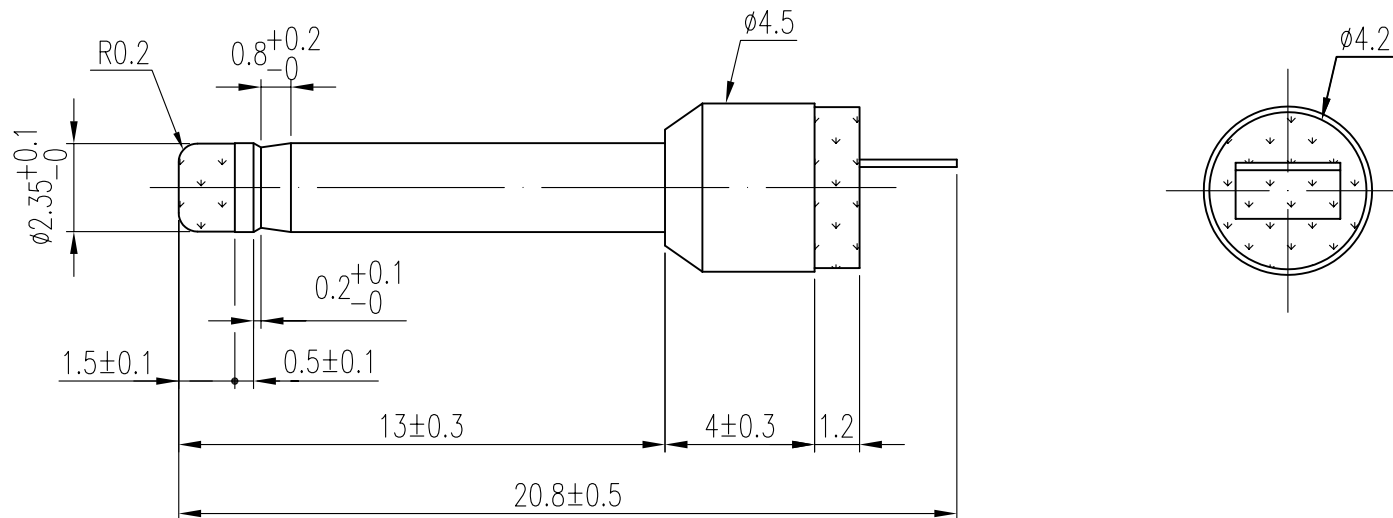


一般公差

尺寸區分	公差
0>1.0	±0.1
1.0>6.0	±0.2
6.0>12.0	±0.3
12.0>25.0	±0.4
25.0>	±0.5



1. Dielectric strength: AC 500V at 1minute.
2. Insulation resistance: DC 500V/100M Ohms min.
3. Rated voltage: 30V DC.
4. Rated current: 5A.

3	P-BRONZE NICKEL
2	BRASS NICKEL
1	PBT BLACK
NO	CONTENT

RoHS Compliant

TOLERANCES ARE

MORETHANALL
PCB CONNECTORS
Cable ASSEMBLIES

煜倫股份有限公司

www.morethanall.com

DRAWING BY CY

CHECKED BY GENIUS

UNIT / mm

SCALE 1 : 1

DATE

SIZE A4

PJECTION

X. ±
.X ±
.XX ±
.XXX ±
ANG ±

照片框

ORDER INFORMATION

DCP-S-23507L-LF
SERIES | LEADFREE
LONG
2.35ØX0.7Ø
SOLDER

DESCRIPTION: DC PLUG $\phi 2.35 \times \phi 0.7 \times 20.8L$